



TO OUR VALUED CUSTOMER:

Thank you for purchasing an EverRide Grass Collector. We believe that you have exercised excellent judgment in your selection. The grass collector has been designed to give you many years of satisfactory service. Successful operation and long life depends on proper maintenance and correct operating techniques.

Before you received your unit, the dealer has performed a pre-delivery inspection. The dealer will discuss with you the features and the operation and maintenance requirements. Your dealer will always be there to help you any time you need assistance or need equipment related to the use of your EverRide mower and grass collector.

We recommend that you carefully read this entire manual before operating the unit. This operator's manual has been printed to provide you with safe operating techniques, proper maintenance procedures, correct assembly, and parts identification on your EverRide grass collector. Keep this manual handy for future reference.

Should any assistance be needed in understanding any section of this manual, contact your EverRide products dealer.

This equipment is covered by a written warranty which will be provided to you in the page following.

EverRide reserves the right to make changes or add improvements to its products without incurring any obligation to make such changes to products manufactured previously. EverRide, or its dealers, accept no responsibility for variations which may be evident in the actual specifications of its products and the statements and descriptions contained in the publication.



EVERRIDE® TWO YEAR WARRANTY STATEMENT

This warranty applies to all units retailed November 1, 2006 or later regardless of serial number. The warranty period starts upon the date of the original purchase reflected on the sales invoice. As a condition to this warranty, the owner/operator shall have read, understood and followed the operator's manual guidelines for operations and maintenance supplied with this product, and that the product registration shall have been mailed to EverRide. Any lack of good maintenance, such as maintaining proper belt tension, tire pressures and lubrication shall be reason for rejection of a warranty claim.

In the judgment of EverRide, any original part found to be defective in material, workmanship or performance, will be repaired or replaced with a new part only by an EverRide Authorized Servicing Dealer without charge for parts and labor based on the following terms and conditions:

Warranty Coverage:

This warranty is limited to two years from the date of purchase for parts and labor for any EverRide product used for commercial purposes, income producing purposes or residential use. EverRide products used for rental purposes are limited to 90 days of warranty. Engine and battery warranties are provided separately by the manufacturer of those components.

Belts, cutting blades, grass collection bags and tires are warranted to be free from manufacturer's defects for the first 90 days.

EVERLIFE WARRANTY

The mower deck shell and tractor frame will be warranted from cracking as a result of defects in material or workmanship for the life of the unit.

Service parts are warranted for 90 days from the date of purchase against manufacturer's defects.

What this warranty does not cover:

The expense incurred for delivering this product to the dealer and returning it after repair. The responsibility of EverRide and its servicing dealers is limited to making the required repairs. Further, no breach of warranty shall be cause for cancellation of the contract of sale.

Subsequent purchasers of the mower other than the original purchaser. This warranty is not transferable.

Product(s) that has (have) been subject to improper maintenance, neglect, misuse, accident, alteration, modified or operated in any way contrary to the instructions specified in the Operator's Manual. Repairs made by unauthorized persons will not be covered under warranty. Damages caused by use of EverRide equipment other than for what it was designed.

Damages that are caused by unauthorized attachments, alterations or modifications will not be covered under warranty.

Any piece of equipment where the serial number has been removed or is made illegible will not be covered under warranty.

Wear or maintenance items (unless defective) including, but not limited to: Clutch and brake linings, light bulbs, grass bags, filters (air, fuel, oil), lubricants & coolants (unless used during an authorized repair), spark plugs, injector nozzles.

As the manufacturer of this product, EverRide reserves the right to change, modify or improve the design of any of its products without assuming any obligation to modify or upgrade any mower, previously sold or manufactured.

As stated above, all other implied warranties are limited in duration. Any such implied warranties including merchantability, fitness for a particular purpose, or otherwise, are disclaimed in their entirety after the expiration of the warranty period.

EverRide's obligation to the original owner is strictly and exclusively limited to the repair or replacement of defective parts, and EverRide does not assume nor authorize anyone to assume for them any other obligation.

EverRide assumes no responsibility for incidental, consequential or other damages including, but not limited to: Transportation of the mower to an Authorized Dealer and returning it back, rental of truck or trailer for transportation, expense for gasoline, injury to property, mechanic's travel time and mileage to perform repair(s), rental of a like product, loss of use of the EverRide product, loss of savings or revenue, loss or damage to personal property, and/or telephone charges.

Exclusions or limitations as stated above may not be allowed in some states. This warranty allows you specific legal rights and you may have other rights in your state.

Warranty Registration

The warranty registration form must be completed and signed by the authorized dealer and the original purchaser and returned to EverRide within ten days of the date of purchase. The date of purchase is considered the day the unit is delivered.

Dealer or Distributor Warranties

The selling dealer and distributor makes no warranty of their own and neither the dealer nor the distributor has any authority to make any representation or promise on behalf of EverRide, or to modify the terms or limitations of this warranty in any way.

**MODEL ZGC5460 GRASS CATCHER
FOR EVERRIDE WARRIOR MODEL ZKW2554 & ZKW2560**

SAFETY PRECAUTIONS	2	BOLT TIGHTENING CHART	18
Safety First	2	Standard Torque Values	18
Before Operation	2	OPERATING INSTRUCTIONS	19
During Operation	3	General Bagging Information	19
Maintenance	3	Operating the Grass Blower	19
Transporting & Storage.....	3	Removing The Grass Collector.....	20
SAFETY SIGNS	4	Clearing Plugged Ducts	20
Care of Safety Signs	4	Emptying Grass Bags	21
Safety Sign Locations	5	MAINTENANCE	21
INTRODUCTION	6	Scheduled Lubrication	21
Application	6	Cleaning Procedures	21
General	6	Replacing the Cloth Grass Bag	21
Model/Serial Information	6	PARTS LIST	22
PARTS IDENTIFICATION.....	7	Center Rear Drive Assembly.....	24
Loose Parts.....	7	Blower Components	26
Parts Bag.....	8	Boot, Bags & Hose Components	28
SETTING-UP INSTRUCTIONS	9	Weight Kit	28
Mower Preparation	9	Gearbox Components	30
Gearbox Installation.....	9	Boot Components.....	32
Blower Installation	10	Blower Engagement Assembly.....	32
Bag Frame Installation	14	Grass Bag & Frame Components	34
Cover Assembly & Installation	15	Grass Catcher Lid Components	36
Grass Bag Assembly	15	Miscellaneous Components	38
Chute Installation	16	Blower Fan Shaft Assembly.....	40
Mower Preparation.....	16	NUMERICAL INDEX	42
Weight Bracket Installation.....	17		

2 - SAFETY PRECAUTIONS



SAFETY FIRST

This symbol, the industry's "Safety Alert Symbol", is used throughout this manual and on labels on the machine itself to warn of the possibility of personal injury. Read these instructions carefully. It is essential that you read the instructions and safety regulations before you attempt to assemble or use this unit.



DANGER: Indicates an immediately hazardous situation which, if not avoided, will result in death or serious injury.



WARNING: Indicates a potentially hazardous situation which, if not avoided, could result in death or serious injury.



CAUTION: Indicates a potentially hazardous situation which, if not avoided, may result in minor or moderate injury.

IMPORTANT:

Indicates that equipment or property damage could result if instructions are not followed.

NOTE:

Gives helpful information.

All EverRide products are designed to give safe, dependable service if they are operated according to instructions. **Read and understand this manual before operation.** It is the owners responsibility to be certain anyone operating this product reads this manual, and all other applicable manuals, to become familiar with this equipment and all safety precautions. Failure to do so could result in serious personal injury or equipment damage. If you have any questions, consult your EverRide dealer.

EverRide recommends the use of a ROPS (Roll Over Protective Structure) and seat belt in almost all applications. Never fasten the seat belt when either a fixed ROPS is removed or a foldable ROPS is down. Do not modify a ROPS in any way. Welding, bending, drilling, or cutting any portion of the ROPS may weaken the structure. Do not repair a damaged ROPS. A damaged ROPS structure should be replaced, not repaired or revised. If any structural member is damaged, replace the entire ROPS at your local EverRide dealership. Check the seat belt daily, and replace it if damaged or frayed.

BEFORE OPERATION

• CHILDREN

Tragic accidents can occur if the operator is not alert to the presence of children. Children are generally attracted to machines and the work being done. Never assume children will remain where you last saw them.

1. Keep children out of the operating area and under the watchful eye of another responsible adult.
2. Be alert and turn machine off if children enter the work area.
3. Before and when backing, look behind and down for small children.

4. Never carry children while operating the machine. They may fall off and be seriously injured or interfere with safe operation of the machine.
5. Never allow children to play on the machine or attachment even when turned off.
6. Never allow children to operate the machine even under adult supervision.
7. Use extra care when approaching blind corners, shrubs, trees, or other obstructions that might hide children from sight.

- Never allow anyone to operate the grass catcher until they are thoroughly familiar with basic mower and grass catcher operation.
- Make sure the mower is counterweighted as recommended by your EverRide Dealer. Weights provide the necessary balance to prevent tip-over or loss of traction or steering.
- Always make sure all grass catcher components are properly installed and securely fastened BEFORE mowing.
- Carefully check the area to be mowed, and remove any foreign objects, such as rocks, bottles and cans, toys, etc., that may cause personal or bystander injury, or equipment and property damage.

DURING OPERATION

- Do not allow anyone to ride on the mower/grass catcher at any time. There is no safe place for passengers on this equipment. The operator MUST sit in the mower seat.
- Do not allow bystanders in the mowing area. Turn the machine off if anyone enters the work area.
- Eye and hearing protection is recommended when operating the grass catcher.
- Operate only during daylight hours, or when the area is well lit with bright artificial light.
- Disengage the PTO, place the transmission in neutral, set the parking brake, shut off the engine and remove the key, and make sure rotating components have stopped BEFORE leaving the operator's seat.
- When mowing for the first time, cut the grass higher than desired. This may help to uncover any unseen object that may damage the mower or grass catcher.
- Inspect the mower and grass catcher after striking any foreign object. This is to assure that all mower/grass catcher parts are safe and secure and not damaged.

MAINTENANCE

- Park the mower/grass catcher on level ground, set the parking brake, disengage the PTO, shut off the

engine and remove the key, BEFORE making any mower or grass catcher adjustments.

- To avoid injury, do not adjust, unclog or service the mower or grass catcher with the engine running. Make sure rotating components have stopped before leaving the operator's seat.
- Keep the mower/grass catcher clean. Dirt and grass build-up can cause fires that may lead to serious personal injury.
- Always wear eye protection when cleaning or servicing the grass catcher.
- Do not work under any part of the mower or grass catcher, unless it is securely supported by safety stands.
- Make sure all shields and guards are securely in place following all service, cleaning, or repair work.
- The cloth grass bags are subject to wear and deterioration. Check them frequently. Use only genuine replacement bags from EverRide.
- Do not modify or alter this equipment or any of its components or operating functions. If you have questions concerning modifications, consult with your EverRide Dealer.

TRANSPORTING & STORAGE

- If the mower/grass catcher is to be driven on public roads, it must be equipped with an SMV (Slow Moving Vehicle) sign. Check local traffic codes that may apply to unit usage on public roads and highways in your area.
- Be alert for all other traffic when driving the mower/grass catcher on public roads or highways.
- Moisture content in most grasses can damage mower and grass catcher components. Also, dry grass and leaves left in the bags can be a fire hazard. Always make sure the bags are completely empty and the blower and chute is fully cleaned before storage.
- Replace all safety signs that are damaged, lost, or otherwise become illegible. If a part to be replaced has a sign on it, obtain a new safety sign from your EverRide Dealer and install it in the same place as on the removed part.

4 - SAFETY SIGNS



1. 103712



3. 160169



5. 948250

Warrior

6. 180960



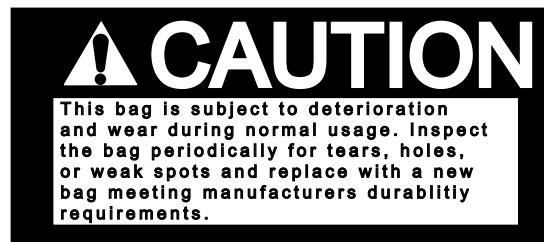
7. 182257



2. 104028



4. 160449



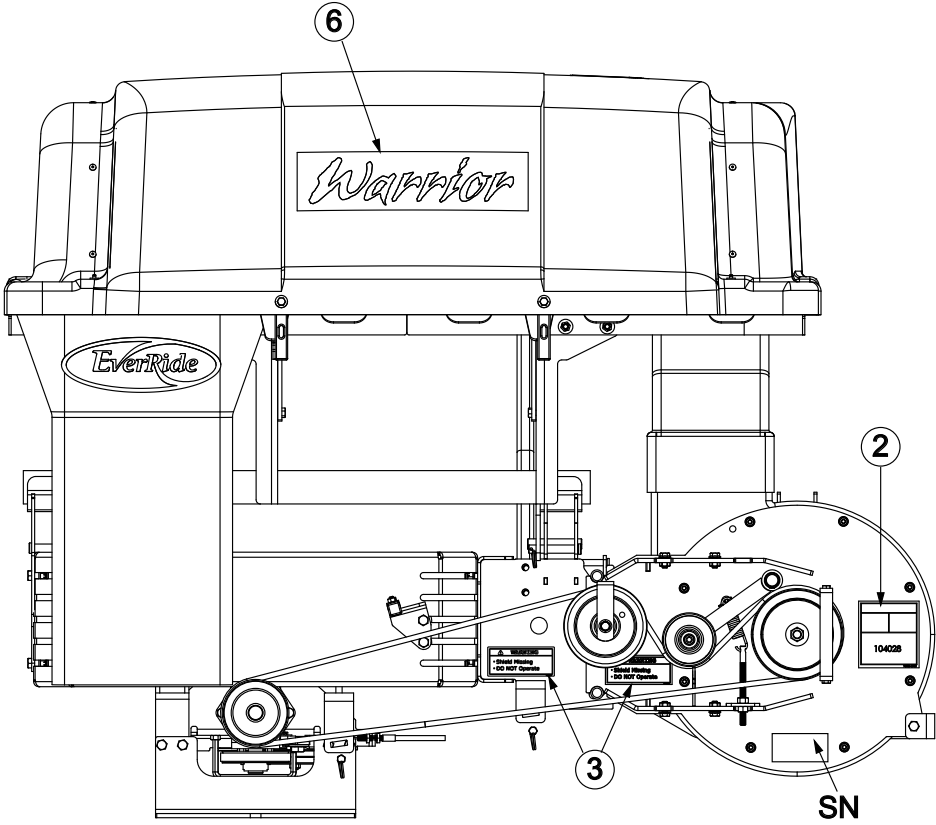
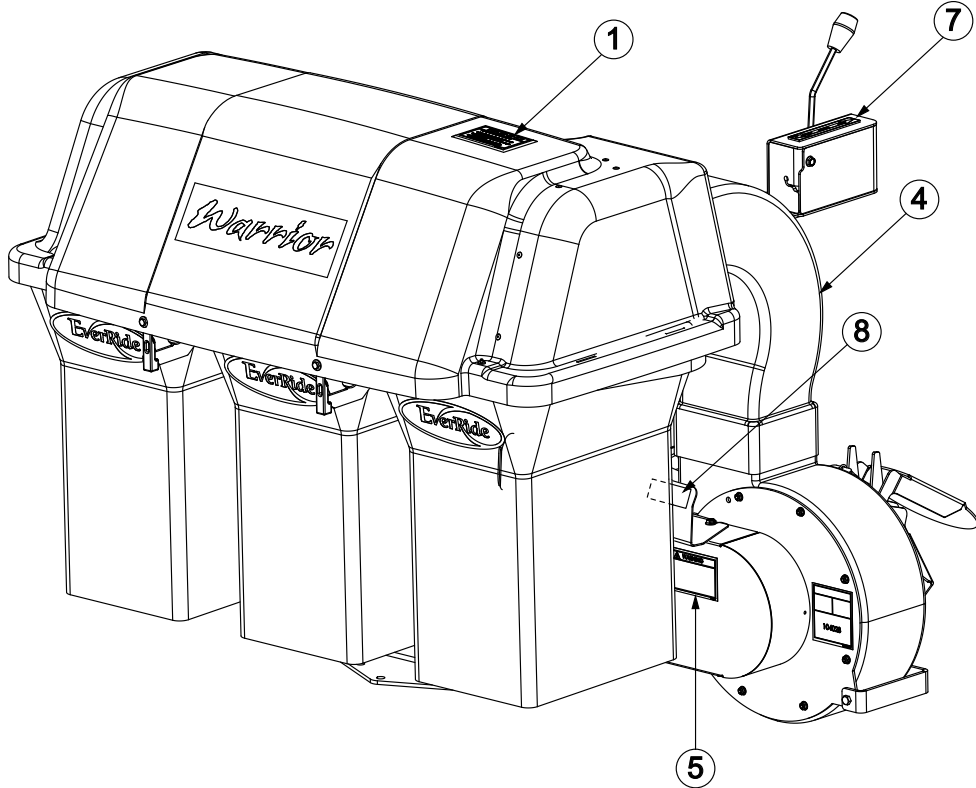
Printed on a tag inside of bag.



8. M117554

CARE OF SAFETY SIGNS

1. Keep all safety signs clean and free from obstructing material.
2. Clean safety signs with soap and water and dry with a soft cloth.
3. Replace damaged or missing safety signs with new safety signs from your EverRide Dealer.
4. If a component with a safety sign affixed is to be replaced with a new part, make sure a new safety sign is attached in the same location on the replacement part.
5. Mount new safety signs by applying on a clean and dry surface, working air bubbles from the center to the outside edges.



6 - INTRODUCTION

APPLICATION

The ZGC5460 Grass Catcher has been designed for use on ZKW2554 or ZKW2560 EverRide Warrior mower decks only. Required weight frame kit 182138 is included.

GENERAL

This manual has been prepared to assist with proper installation, maintenance, and safe operation of the grass catcher.

If a service problem occurs, or parts are needed, see your EverRide Dealer. Use only genuine EverRide replacement parts on the mower and grass catcher.

All references to **right and left, forward or rearward**, are from the mower operator's seat, facing forward.



CAUTION:

Make sure the mower is counterweighted as recommended by your EverRide Dealer. Weights provide the necessary weight distribution or balance to reduce tip-over or loss of traction or steering.

MODEL/SERIAL INFORMATION

Your EverRide Dealer needs the model and serial numbers from the mower, and grass catcher, to supply up-to-date parts for your equipment. Referring to page 5, locate the grass catcher serial plate and record its information, along with the mower information below.

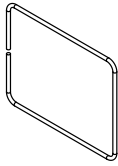
MODEL NO.	
SERIAL NO.	
Auburn Consolidated Industries, Inc P.O. Box 350 Auburn, NE USA 68305-0350	

Keep this Manual with the Mower Operator's Manuals for future reference.

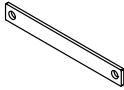
	GRASS CATCHER	MOWER
Model Number	ZGC5460	
Serial Number		
Dealer Name		

EverRide reserves the right to change, modify, or eliminate from time to time, for technical or other reasons, certain or all data, specifications, or equipment of the product, or the product themselves, without any liability or obligation.

Part Identification - Loose Parts - 7



103736 (3)
Bag Frame Rod



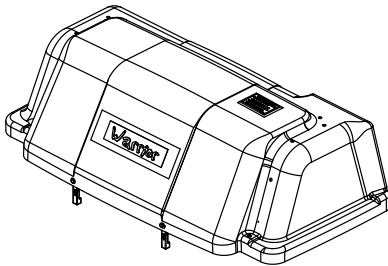
104540 (1)
Hopper Hinge Plate



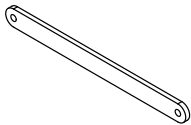
181105 (1)
A60K Powercable Belt



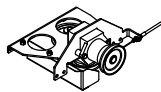
181109 (1)
Double V Pulley



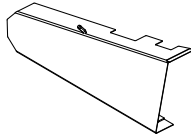
182000 (1)
Plastic Lid Assembly



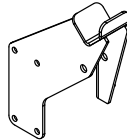
182013 (2)
Short Bag Brace



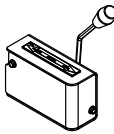
182014 (1)
Center Drive Assembly



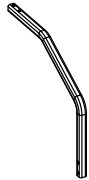
181528 (1)
Rear Drive Shield Wldt.



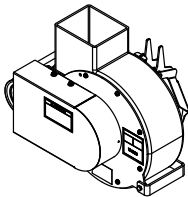
182036 (1)
LH Hopper Mount Wldt.



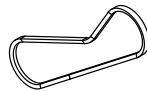
182040 (1)
Blower Control Assy.



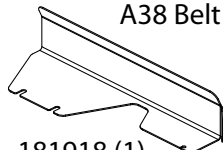
182042 (1)
Blower Control Mount Tube



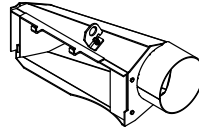
182046 (1)
Blower Assembly



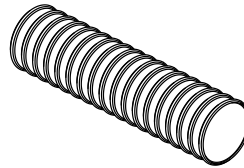
182068 (1)
A38 Belt



181918 (1)
Exhaust Shield



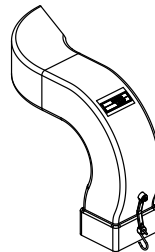
182070 (1)
Boot Assembly



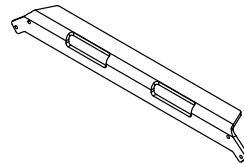
182080 (1)
8" x 34" Yellow Tube



182085 (1)
Parts Bag



182086 (1)
Hopper Chute Assembly



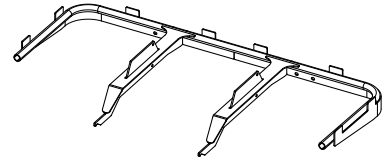
182136 (1)
Front Weight Frame Bracket



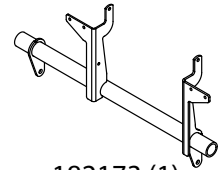
182158 (1)
GC Wire Harness



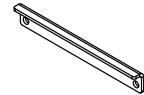
182164 (1)
ROPS Control Mount Bracket



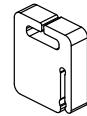
182165 (1)
Bag Frame Wldt.



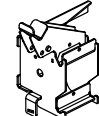
182173 (1)
Frame Mount Wldt.



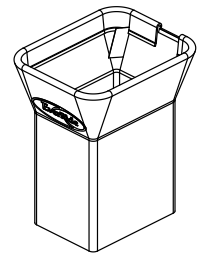
182188 (1)
Hopper Hinge Bracket



181226 (6)
28 Lbs. Front Weight



182197 (1)
Rear Frame Blower Mount Wldt.

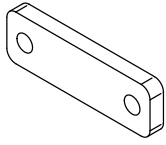


182220 (3)
EverRide Grass Bag

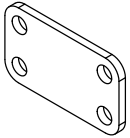


182222 (2)
.750 x 7.13 x 6.34 Pin

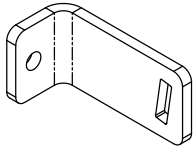
8 - Part Identification - Parts Bag



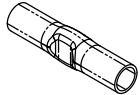
182137 (2)
Front Weight Frame Plate



182163 (2)
Control Mount Plate



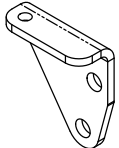
181534 (1)
Blower Shield Mount Bracket



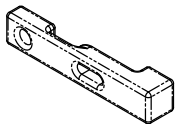
104446 (3)
Bag Spacer



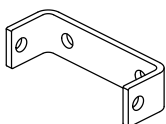
182076 (2)
.516 x .750 x 1.00 Bushing



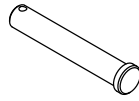
182044 (1)
Latch Mount Bracket



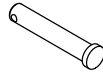
103714 (1)
Hopper Latch Hook Band



181178 (1)
Bagger Bracket



150115 (2)
.500 x 3.00 x 2.77 Clevis Pin



967154 (1)
.375 x 2.13 x 1.89 Clevis Pin



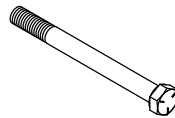
967103 (3)
.313 x .500 x .266 Clevis Pin



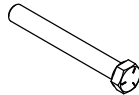
962008 (2)
.094 x .750 Cotter Pin



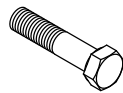
962017 (5)
.125 x 1.00 Cotter Pin



960058 (4)
3/8-16 x 4.00 Bolt



960054 (4)
3/8-16 x 3.00 Bolt



960117 (2)
1/2-13 x 2.25 Bolt



960049 (4)
3/8-16 x 1.75 Bolt



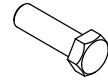
960047 (5)
3/8-16 x 1.25 Bolt



960046 (18)
3/8-16 x 1.00 Bolt



960023 (8)
5/16-18 x 1.00 Bolt



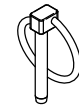
960114 (2)
1/2-13 x 1.50 Hex Bolt



960002 (1)
1/4-20 x 1.00 Bolt



967006 (6)
.19 x 14.4 Cable Tie



140970 (4)
.250 X 1.75 Lynch Pin



967057 (5)
.080 x 1.25 Wire Ring



964000 (4)
1/2-13 Crown Locknut



964031 (1)
1/4-20 Center Locknut



964022 (33)
3/8-16 Crown Locknut



964021 (8)
5/16-18 Crown Locknut



960700 (1)
.250 Flat Washer



960702 (12)
.375 Flat Washer



960701 (6)
.313 Flat Washer



967281 (1)
.250 x .625 x .065 Flat Washer

NOTE:

See the parts list illustrations for visual assistance during assembly of the grass catcher.

MOWER PREPARATION

1. Raise the rear of the mower with a hoist or hydraulic jack. Secure it with jackstands.

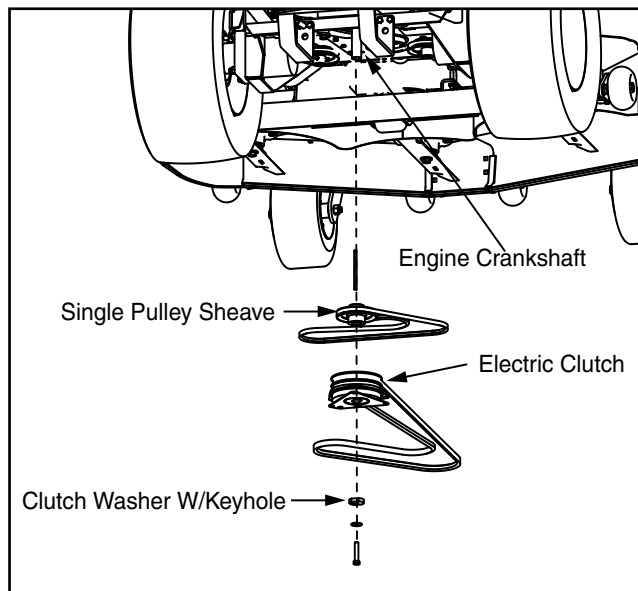
IMPORTANT:

Put the motion control arms in the neutral lock position and be sure to place the jackstands under the frame and not under the wheel motors. Make sure to secure the unit in place so the wheels cannot roll forward and the jackstands cannot slide.

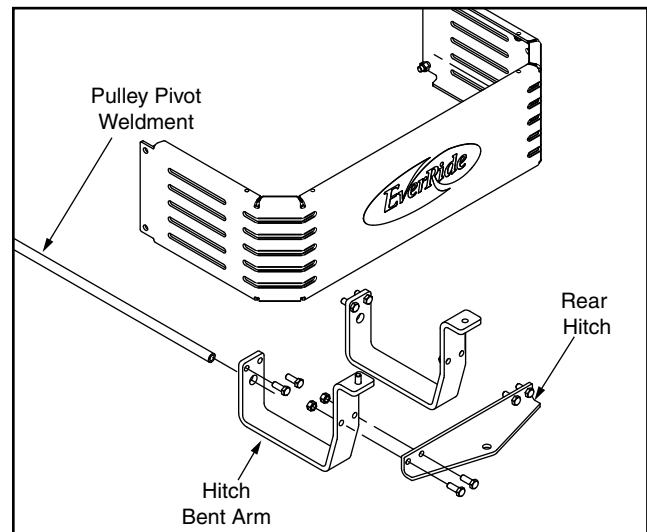
2. Release the drive belt pressure by raising the mower floor plate and releasing the tension lever. Roll the drive belt off of the pulley on the electric clutch which is attached to the engine crankshaft.
3. Remove the electric clutch by removing the 7/16-20 x 2.25 bolt, 7/16 lockwasher and clutch washer. Disconnect the anti-rotation arm by removing the 3/8-16 x 5.5 bolt which is securing it in place. Disconnect the wiring harness from the clutch.

NOTE:

To keep the crankshaft from turning during removal of the clutch retaining bolt, fix the crankshaft in place using a wrench inserted over the clutch washer.



4. Remove the pump belt by relieving the belt tension and rolling it off of the pulley belt sheave. Remove the single pulley belt sheave used for the pump belt by sliding it off of the shaft. Replace the single pulley belt sheave with the double pulley belt sheave included with the grass collector. The long exposed portion of the tube on the pulley should face the engine. Install the pump belt (labeled as A60K) supplied with the grass collector.
6. Remove the hitch bent arms and the rear hitch. Set aside the rear hitch as it will not be used while the grass collector is installed. Retain the hitch bent arms for use in later installation.



GEARBOX INSTALLATION

1. Slide the center rear drive assembly under the bumper plate of the zero turn mower. Secure the center rear drive assembly in place by aligning the holes the bent arms were removed from originally and inserting four 3/8-16 x 1.25 bolts through the hitch bent arms, through the center rear drive assembly, and through the mower frame. The LH 3/8-16 x 1.25 bolt should be inserted the opposite direction to allow it to clear the belt shield. Insert one 3/8-16 x 1.00 bolt through the hitch bent arm and up through the bumper plate. Insert four 3/8-16 x 1.00 bolts through the hitch bent arms and into the center rear drive assembly. Loosely fasten all of the 3/8-16 bolts installed with 3/8-16 crown locknuts. Do not torque.

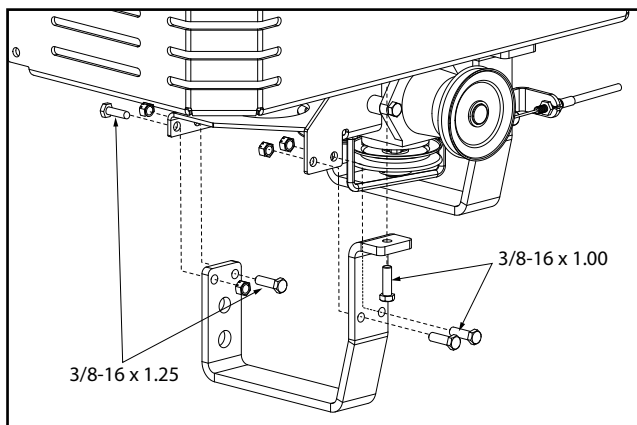
10 - SETTING UP INSTRUCTIONS - Continued

NOTE:

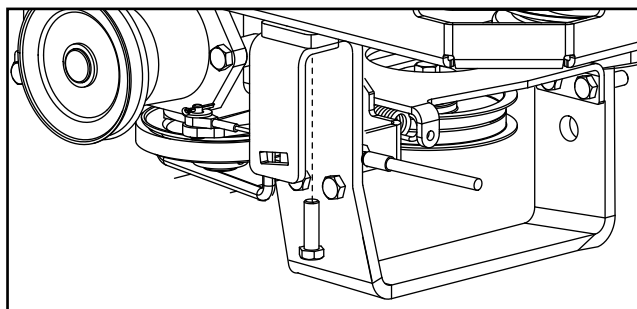
To facilitate ease of installation of the center rear drive assembly, loosen the bolts securing the bumper plate.

IMPORTANT:

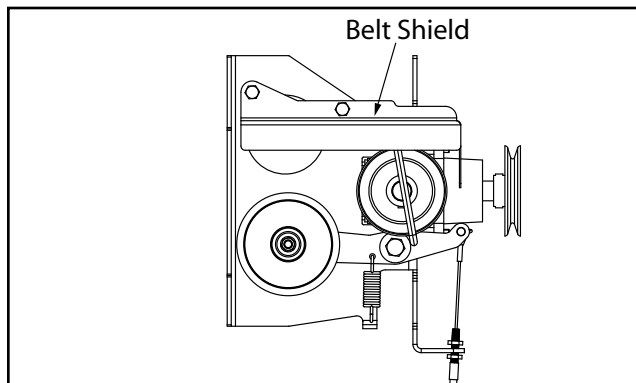
Make sure to reinstall the pulley pivot weldment by sliding it into the LH hitch bent arm as shown above.



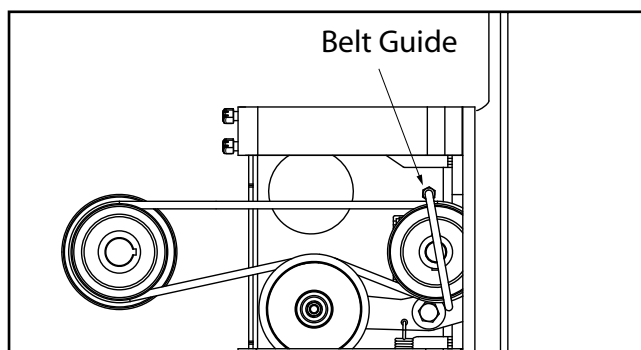
2. Install the blower shield mount bracket by inserting a 3/8-16 x 1.25 bolt up through the blower shield mount bracket. Loosely secure with a 3/8-16 crown lock nut. Do not torque.



3. Loosely Install the rear drive belt. Reinstall the clutch. Torque the 7/16-20 x 2.25 bolt to 45 ft. lbs. Plug the wiring harness back into the clutch. Reconnect the anti-rotation.
4. Remove the belt shield on the rear center drive assembly. Loosen the bottom 5/16-18 nut securing the belt guide in place.



5. Rotate the belt guide around to facilitate installation of the belt. Route the belt as shown.



6. Rotate the belt guide back to the original location and re-torque the nut loosened previously.

IMPORTANT:

The belt guide should not contact the belt.

7. Reinstall the belt shield removed from the rear center drive assembly previously and reinstall the deck belt. Re-tension the belt using the tension lever.

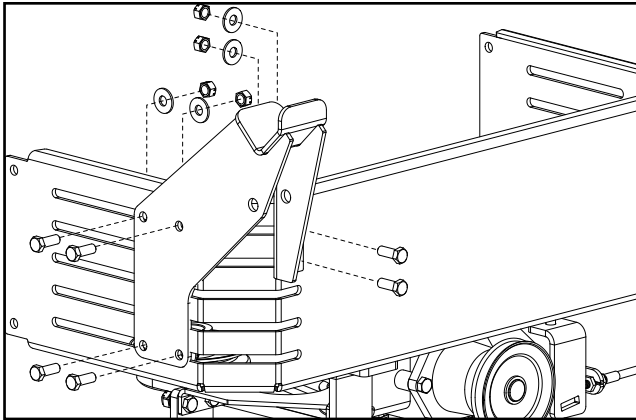
BLOWER INSTALLATION



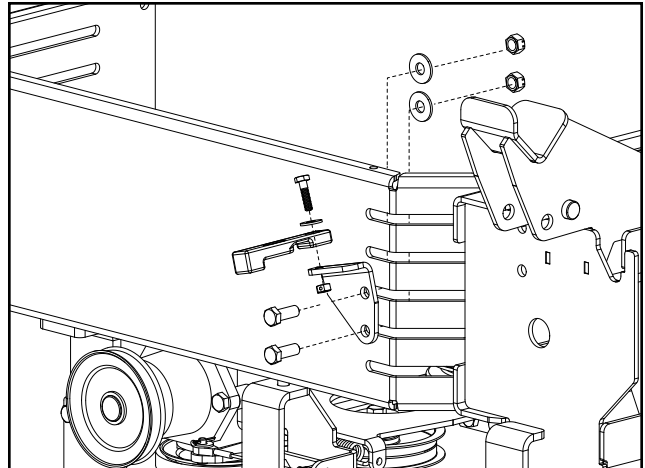
WARNING:

To avoid injury, allow the engine and muffler to cool before installing this grass collector.

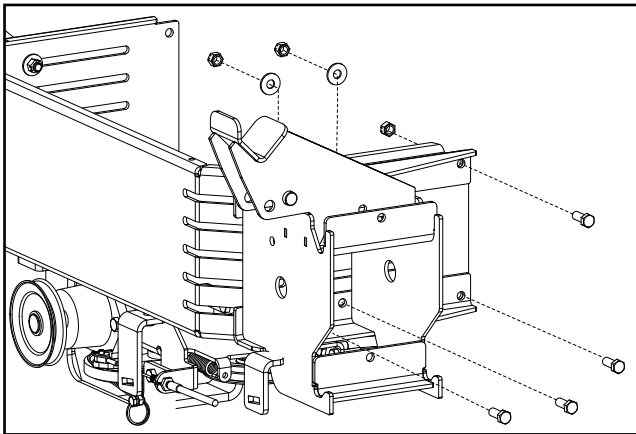
1. Install the LH hopper mount weldment by inserting six 3/8-16 x 1 bolts through the LH hopper mount weldment and through the bumper plate. Secure with 3/8 flat washers and 3/8-16 crown lock nut.



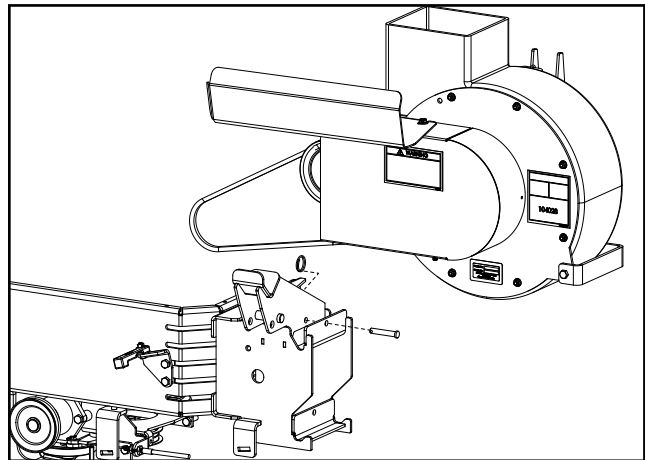
2. Remove the two RH 3/8-16 x 1 bolts securing the bumper plate in place. Install the rear frame blower mount weldment to the bumper plate by inserting six 3/8-16 x 1 bolts through the rear frame blower mount weldment and through the bumper plate. Secure with six 3/8 flat washers and six 3/8-16 crown lock nuts.



5. Slide the blower assembly into the channels on the rear frame blower mount weldment and secure with a 3/8 x 2.00 clevis pin through the rear blower mount weldment. Secure the clevis pin in place with a wire ring.



3. Install the latch mount bracket by inserting two 3/8-16 x 1 bolts through the latch mount bracket and through the bumper plate. Secure with two 3/8 flat washers and two 3/8-16 crown lock nuts.
4. Connect the hopper latch hook band to the latch mount bracket by inserting a 1/4-20 x 1 bolt through the latch mount bracket and through the hopper latch hook band. Secure with a 1/4 regular flat washer and a 1/4-20 center lock nut. **Torque ALL hardware installed to this point.** Raise the tractor and remove the jack stands supporting it. Lower the tractor back to the ground.



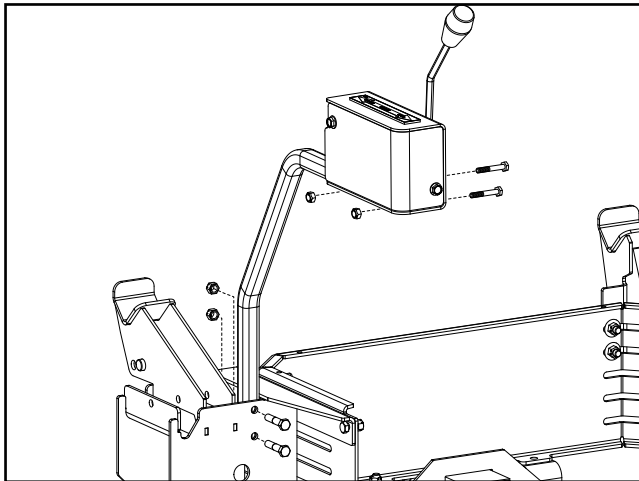
NOTE:

For EverRide Warrior units with a ROPS, start with step 9. For EverRide Warrior units without a ROPS, begin with step 6.

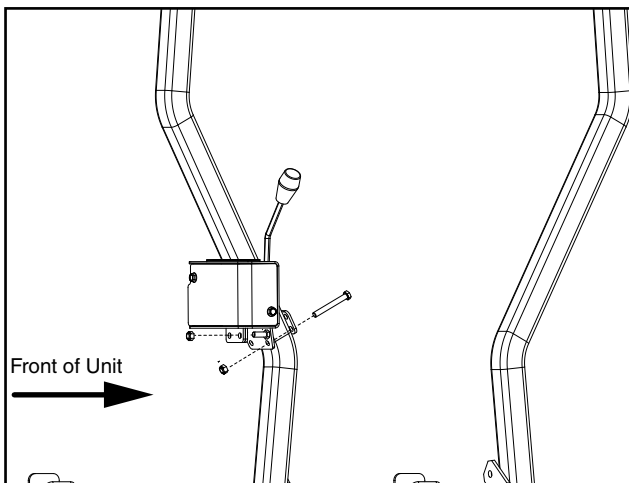
6. Insert two 3/8-16 x 1.75 bolts through the rear frame blower mount weldment and through the ZTM blower control tube. Secure with two 3/8-16 crown locknuts.

12 - SETTING UP INSTRUCTIONS - Continued

- Attach the ZTM blower control assembly to the ZTM blower mount control tube by inserting two 3/8-16 x 1.75 bolts through the ZTM blower control assembly and through the ZTM blower mount control tube. Secure with two 3/8-16 crown lock nuts.



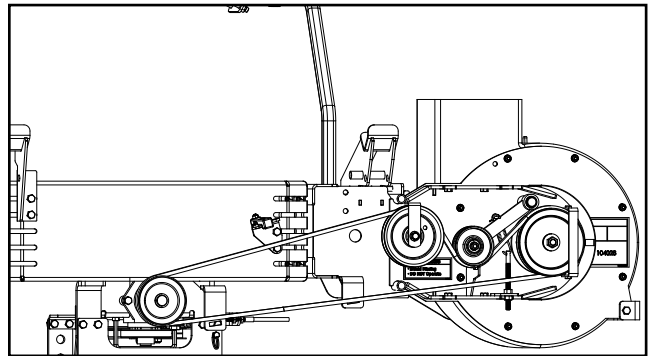
- For EverRide Warrior units with a ROPS installed, insert four 3/8-16 x 3 bolts through the control mount plate and through the ROPS control mount bracket. Secure with four 3/8-16 crown lock nuts.
- Attach the ZTM blower control assembly to the ROPS control mount bracket by inserting two 3/8-16 x 1 bolts through the ROPS control mount bracket and through the ZTM blower control assembly. Secure with two 3/8-16 crown lock nuts.



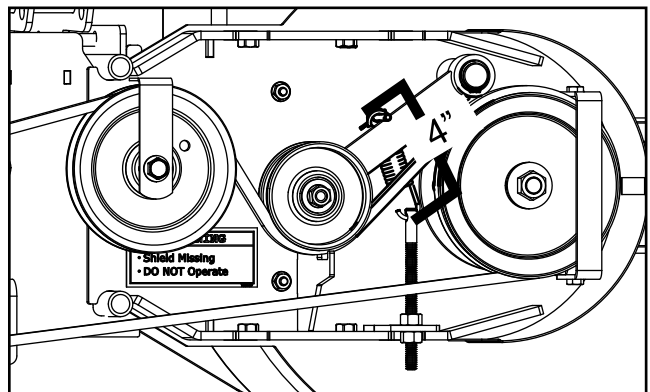
NOTE:

The recommended location of the blower control assembly is just above the bend as shown. It is adjustable up or down based on operator preferences.

- Remove the belt shield from the blower assembly and install the blower belt to the center rear drive assembly as shown.



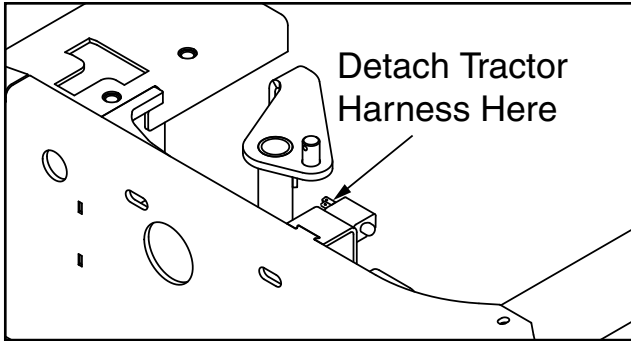
- The blower belt is installed and the tension arm is set at the factory. Insure the spring tension length is four inches. To adjust the spring length, loosen or tighten the two 3/8-16 hex nuts securing the tension arm in place.



NOTE:

It will be necessary to readjust the belt tension length to 4 inches after 15 hours of grass collector use.

- Remove the wire harness connection to the LH motion control handle limit switch.



13. Remove the cover on the blower control assembly by removing the two 5/16-18 x .625 flange head bolts securing it in place.

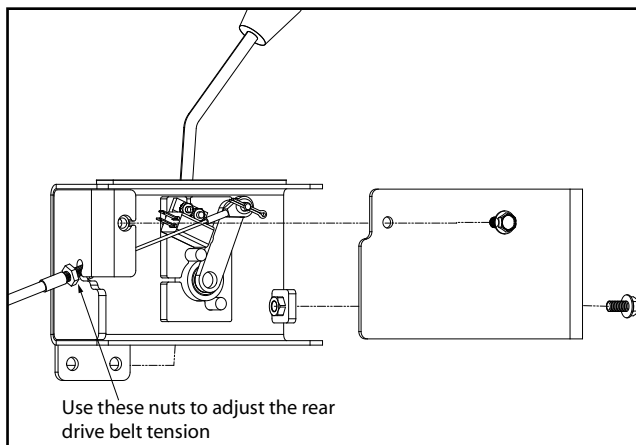
14. Route the pull cable through the hole in the latch mount bracket up to the blower engagement assembly. Connect the pull cable to the lever shaft weldment on the blower control assembly by sliding the open end of the pull cable over the 1/4 clevis pin as shown. Secure the cable in place using a 1/4 flat washer and 3/32 cotter pin. Slide the two jam nuts into the slot on the blower control weldment and tighten both nuts to secure the cable in place.

NOTE:

The pull cable should follow the throttle cable routing as it is run through the mower frame.

NOTE:

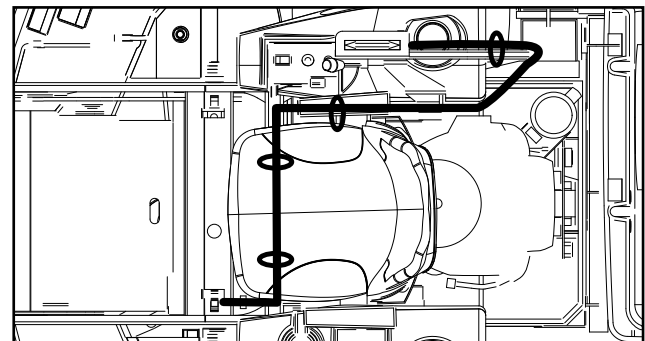
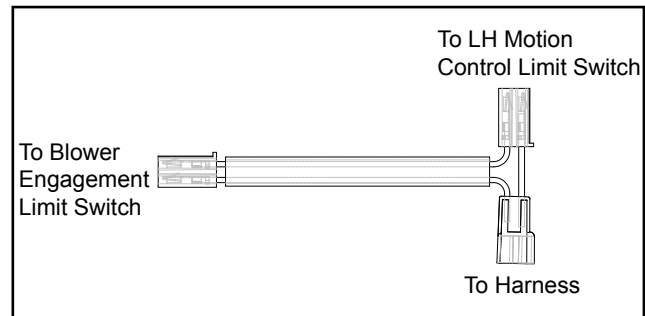
The handle must be in the "Up" (disengaged) position when installing the pull cable to the blower control weldment.



15. Connect the long end of the grass collector wiring harness to the limit switch in the blower engagement assembly. Route the grass collector harness from the blower engagement assembly along the RH frame of the mower until you come to the cross tube running under the battery tray. Run the harness on the underside of the cross tube over to the LH side of the mower and route the harness to the limit switch for the LH motion control arm. The female end of the short leg of the grass collector wire harness should connect to the limit switch on the LH motion control arm. Insert the female mower wire harness connector into the male end on the grass collector wiring harness. Secure the harness in place using the wire ties supplied.

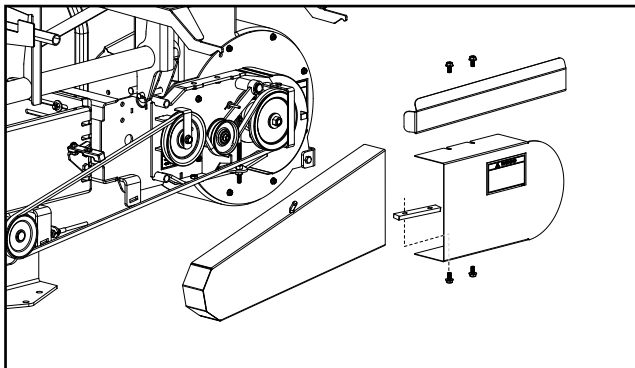
NOTE:

The wiring harness should not rub against the control cable in the blower engagement assembly. Use wire ties where necessary to prevent this.

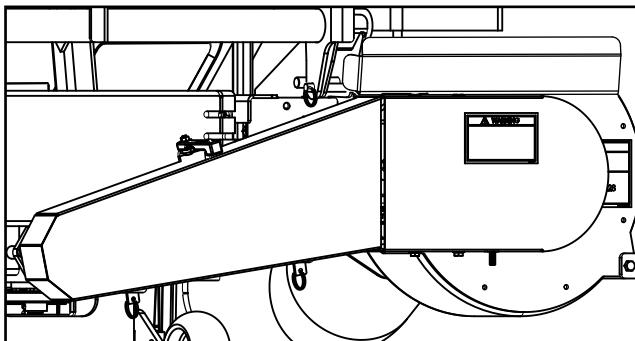


16. Adjust the pull cable length by adjusting the two jam nuts on the blower engagement assembly or the rear drive assembly to facilitate proper engagement of the grass collector. The grass collector should disengage completely when the lever is pulled up (disengage on label) and the belt should have approximate tension of 5-8 lbs. when it is down. If the belt slips, tighten the tension belt tension by adjusting the pull cable length accordingly. With the mower off of the jack stands, run the blower in the engaged position for 3 minutes to soften the belt and readjust the cable tension so that when in the disengaged position, the gearbox pulley does not rotate.

17. Install the RH rear blower shield over the blower weldment and secure it in place with two 5/16-18 x 5/8 flange head bolts inserted into the bottom of the shield through the spacer and into the blower weldment. Slide the exhaust deflector over the RH belt shield and secure with two 5/16-18 x 5/8 flange bolts. Install the LH rear belt shield by inserting the tabs into the slots on the rear frame blower mount weldment and rotating up. Secure using the rubber latch hook band.

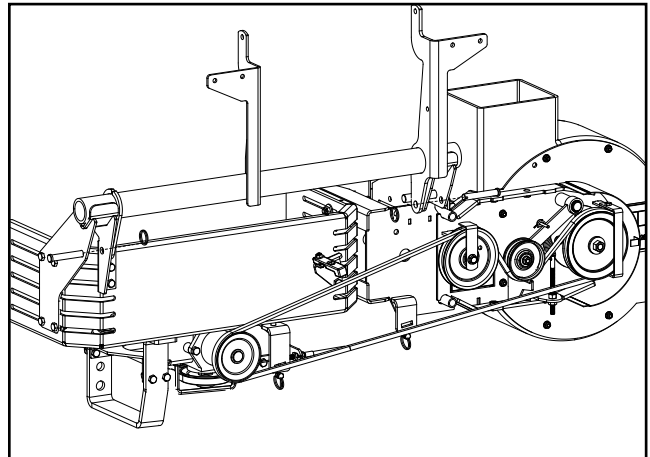


18. Insert two circle clips over the tabs on the LH rear belt shield as shown.

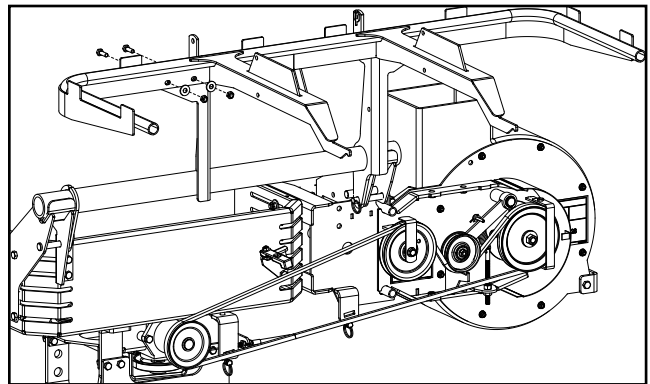


BAG FRAME INSTALLATION

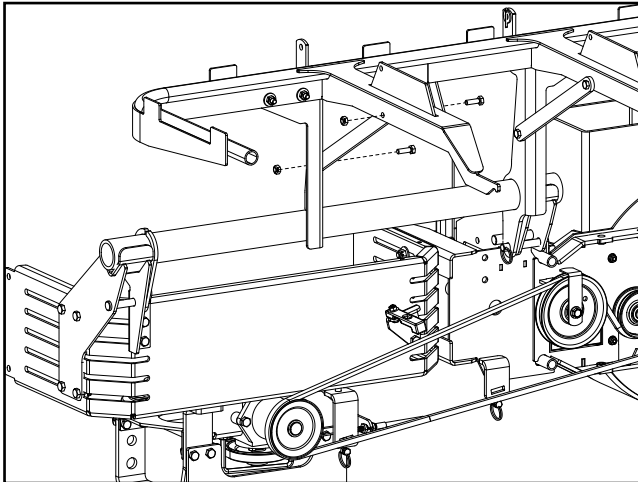
1. Set the grass bag frame weldment onto the channels on the rear frame blower mount weldment and the LH hopper mount assembly. Secure the left side of the grass bag frame weldment in place by inserting a 1/2 x 3 clevis pin through the LH hopper mount assembly and through the grass bag frame weldment. Secure the right side of the grass bag frame weldment in place by inserting a 1/2 x 3 clevis pin through the rear frame blower mount weldment and through the grass bag frame weldment. Secure both clevis pins using wire rings.



2. Attach the three bag weldment to the grass collector frame weldment by inserting four 5/16-18 x 1 hex bolts through the grass collector frame weldment and through the three bag weldment. Loosely secure with four 5/16 flatwashers and locknuts.

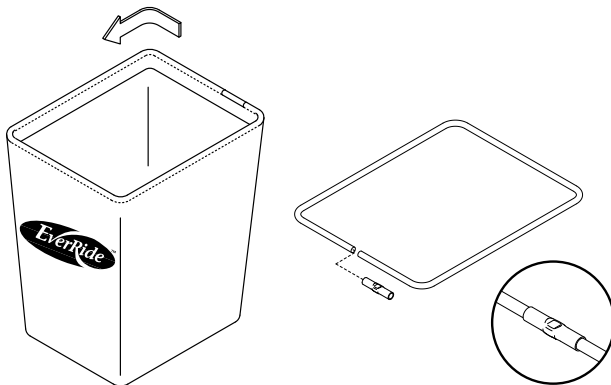


3. Attach the LH brace to the three bag weldment by inserting a 5/16-18 x 1 bolt through the brace, through the grass bag frame weldment. Secure with a 5/16 crown locknut. Insert a 5/16-18 x 1 bolt through the LH brace and through the three bag weldment. Secure with a 5/16-18 crown locknut. Repeat for the RH brace. Torque all hardware installed to this point.



GRASS BAG ASSEMBLY

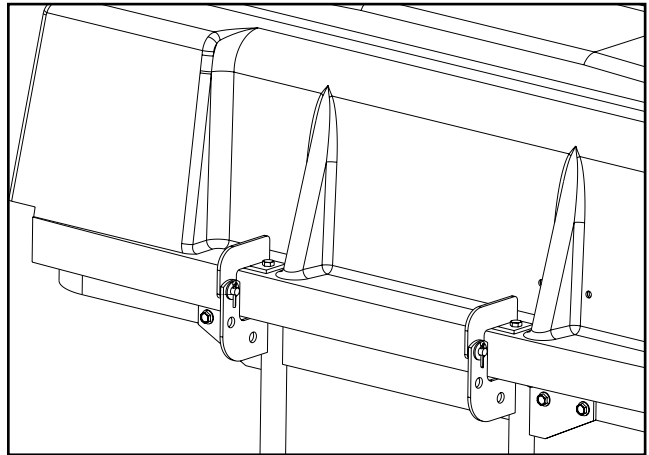
1. Place the seam openings onto the frame openings and turn the bags until the opening is around the opening on the bag frame mount.



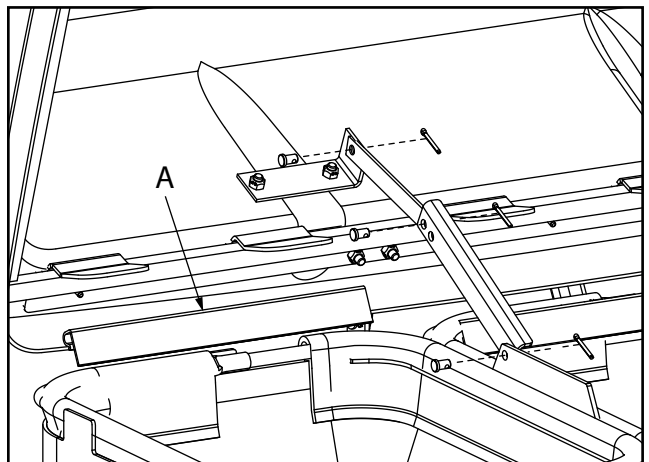
2. Install the bag spacers onto the bag frame mount.
3. Rotate the bag around again so the bag spacer is on the EverRide logo side of the bag.

COVER ASSEMBLY & INSTALLATION

1. Install the cover over the bag support frame and engage the hinge pin with the brackets on the mainframe. Retain with two 5/16 flatwashers and 1/8 x 1 cotter pins.

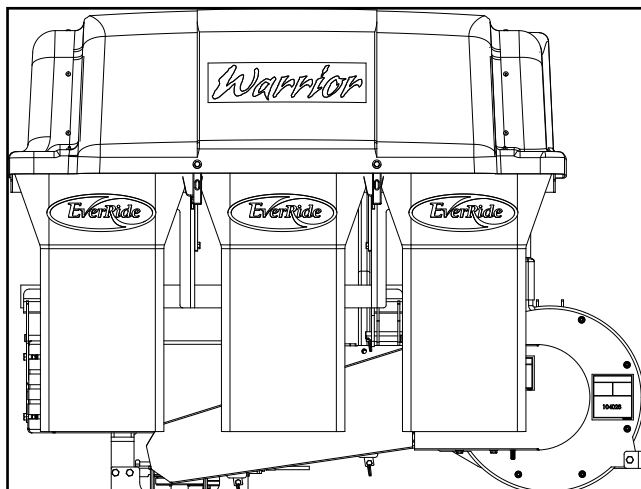


2. Raise the cover, allowing access to the inside and hold in the up position with a block, safety wire, or a small length of rope.
3. Assemble the latch links as shown, with three 5/16 x 1/2 clevis pins and 1/8 x 1 cotter pins.
4. Install all three grass bags onto the bag support frame.



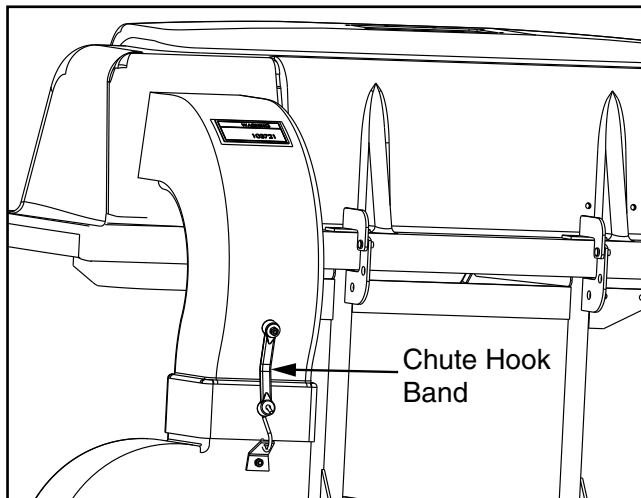
16 - SETTING UP INSTRUCTIONS - Continued

5. Remove the means of holding the cover open and allow this latch to support the cover.
6. Install the three plastic bag protectors (A) which are included with the grass bags by sliding them over the bag and bag frame as shown.
7. Fasten both rubber hook bands to hold the cover closed.



CHUTE INSTALLATION

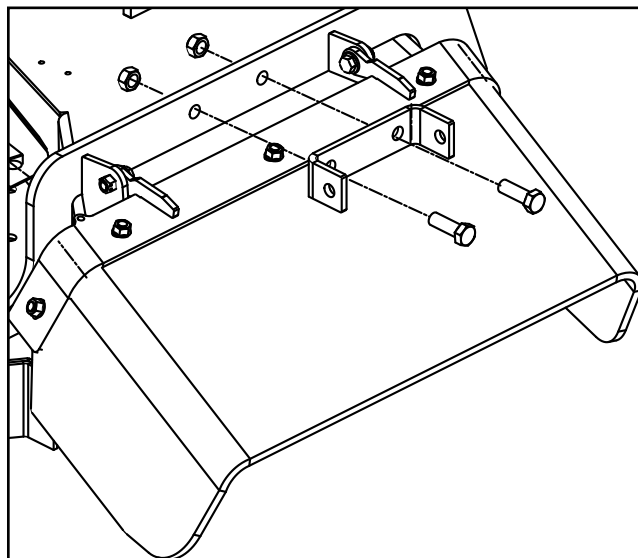
1. Slide the curved end of the chute into the opening in the cover, open lid and then place the lower end onto the blower housing.
2. Fasten the chute hook band to the blower housing bracket.



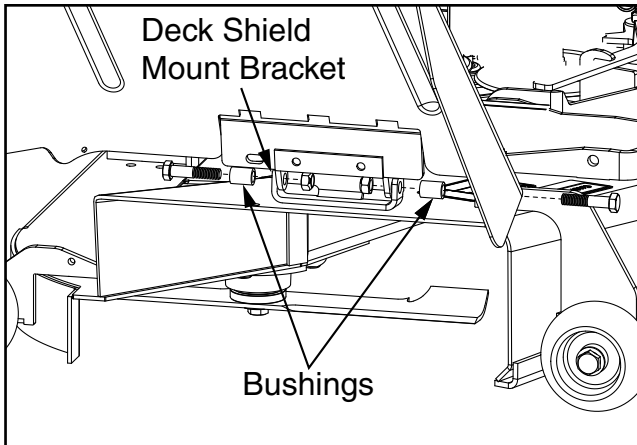
MOWER PREPARATION

1. Remove the discharge shield from the deck by removing the deck shield extension spring and two 1/2-13 x 1.50 bolts.
2. Install the two .516 x .750 x 1.00 bushings by inserting two 1/2-13 x 2.25 bolts through the bushings, through the deck shield mount bracket and through the deck shield. Secure with two 1/2-13 crown locknuts.

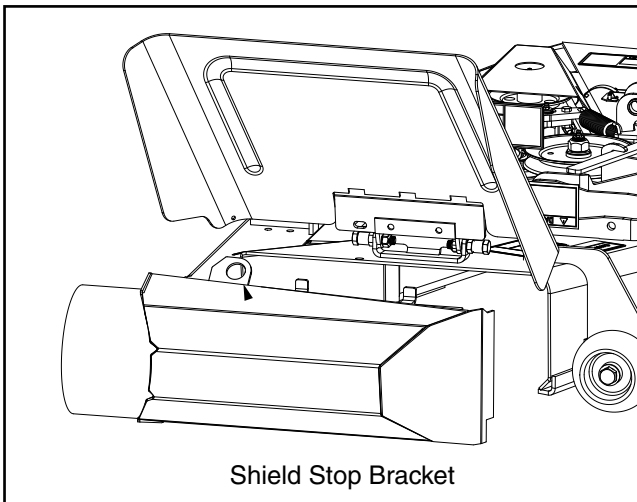
Note: Only use step 3 for EverRide Warrior mower serial numbers above 648920000, 649320000, 649620000, or 649820000.



3. Prior to installing the boot weldment, it is necessary to install the bagger bracket to the mower deck. To install the bracket, insert two 1/2-13 x 1.50 hex bolts through the bagger bracket and through the deck ear. Secure in place using two 1/2-13 crown locknuts.



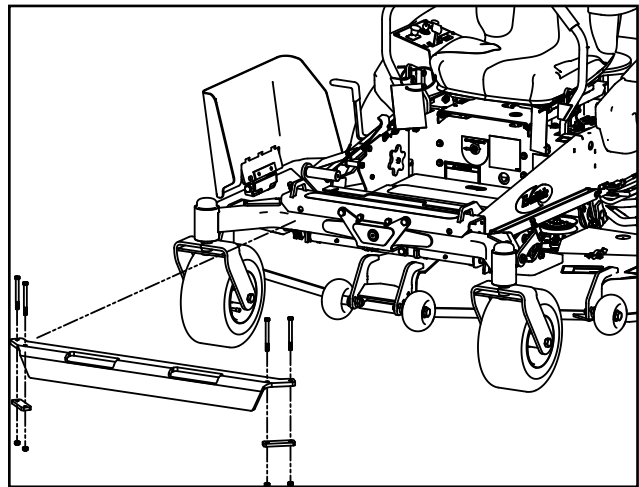
3. Rotate the shield bracket 90 degrees.
4. Raise the discharge shield and install the boot on the deck by inserting the tabs on the boot under the spacers installed previously using the deck shield mounting bolts.



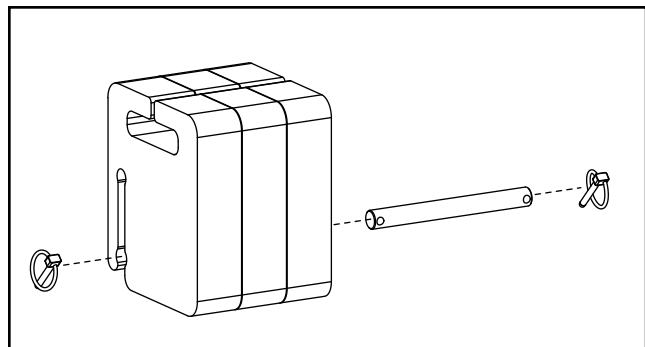
5. Rotate the shield stop back and lower the discharge shield down.
6. Slide the hose onto the boot. Slide the other end of the hose onto the blower housing.

WEIGHT BRACKET INSTALLATION

1. Install the front weight bracket kit 182138 by sliding the weight bracket over the pivoting axle as shown. Secure it in place using four 3/8-16 x 4 bolts inserted through the front weight bracket with the bolts running along the front axle and then inserting them through the front weight frame plate. Fasten the bolts using four 3/8-16 crown locknuts.



2. Install the 6 suitcase weights into the slots on the front weight bracket kit.
3. Insert the two manufactured pins into the slots on the suitcase weights. Secure the pins in place using the four lynch pins included with the kit.



Assembly is now complete. Be sure to read the Operating Instructions beginning on page 19 before using the grass catcher.

18 - BOLT TIGHTENING CHART

STANDARD TORQUE VALUES


All torque values apply to new plated fasteners, or when fasteners have been cleaned and coated with clean oil.

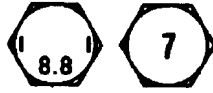
SAE Grade 5 torque values shown are for both coarse (UNC) and fine (UNF) thread fasteners.

Separate torque values for coarse and fine metric fasteners are shown on the split chart below.

Use the following charts for all Grass Catcher fastener torque applications.

Torque values DO NOT apply to plastic parts.

SAE Grade 5		
		
Bolt Size	ft. lbs.	N·m
1/4	9-11	12.2-14.9
5/16	17-20.5	23.1-27.8
3/8	35-42	47.5-57.0
7/16	54-64	73.2-86.8
1/2	80-96	108.5-130.2
9/16	110-132	149.2-179.0
5/8	150-180	203.4-244.1

Metric Grade 8.8		
		
Bolt Size	ft. lbs.	N·m
Coarse		
M8-1.25	20-26	27.1-35.2
M10-1.5	38-46	51.5-62.3
M12-1.75	57-66	77.2-89.4
Fine		
M8-1.0	22-31	29.8-42.0
M10-1.25	40-52	54.2-70.5
M12-1.25	62-75	84.0-101.6

GENERAL BAGGING INFORMATION

CAUTION:
Always make sure all grass catcher components are properly installed and securely fastened before mowing.

CAUTION:
Eye and hearing protection is recommended when operating the grass catcher.

Always mow at full engine speed. This will insure the most airflow into the grass bags. If the mower engine lugs down while mowing, reduce the mower ground speed.

Grass and leaf collecting performance depends on air flow into the bags. Mow when the grass is dry.

Chute and blower plugging can be more frequent in wet conditions.

Tall grass clippings may also plug the blower and chute. Mow at the highest height of cut and re-mow the entire area at the final desired height to avoid plugging.

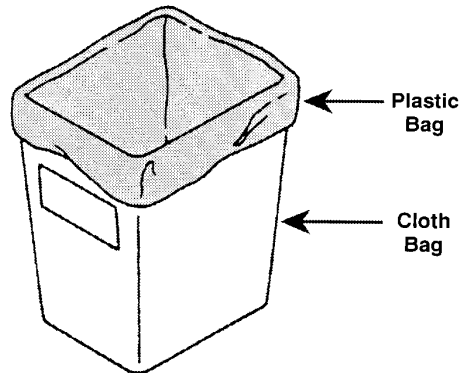
CAUTION:
Do not allow anyone to ride on the mower/grass catcher at any time. There is no safe place for passengers on this equipment. The operator must sit in the mower seat.

When transporting the mower/grass catcher, ALWAYS disengage the mower PTO.

Mow up and down slopes, not across. Avoid all grass catcher operation on steep slopes.

Stay alert for holes or bumps that could effect stability of the mower/grass catcher.

NOTE:
Plastic lawn and leaf bags, 33 gallon size, can be used inside the cloth bags. Be sure to leave enough plastic bag over the bag frame so the plastic bags can be twist tied and removed.



CAUTION:
Inspect the mower and grass catcher after striking any foreign object. This is to assure that all mower/grass catcher parts are safe and secure and are not damaged.

Thoroughly clean the mower deck, the blower housing and chute, and the cover lid and engine radiator screens, after each mowing. Grass build-up, left to dry, will be very difficult to remove, and if not removed, will effect future mowing and bagging performance.

WARNING:
Always wear eye protection when cleaning or servicing the grass catcher.

WARNING:
All blower cleaning or service must be performed with the engine shut off and the key removed from the ignition switch.

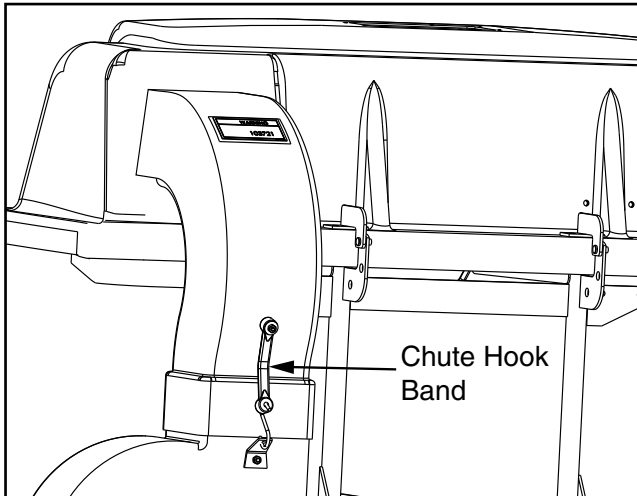
OPERATING THE GRASS BLOWER

While sitting on the operator's seat, start the mower engine and allow it to warm up at half throttle. The mower PTO must be disengaged, or the mower engine will not start. First, engage the blower belt by moving the blower engagement lever forward. Second, engage the mower PTO. Increase the mower throttle to full speed.

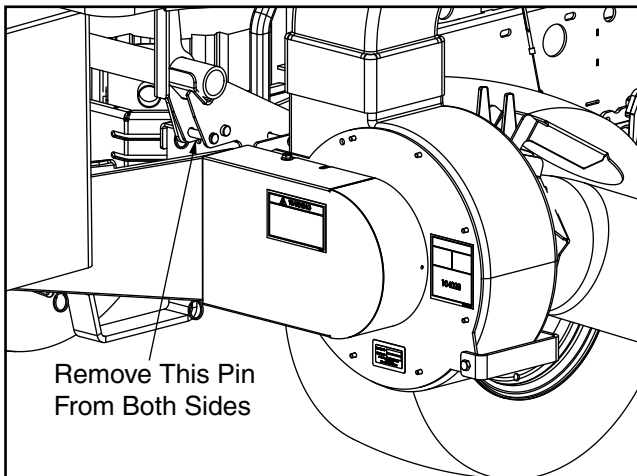
To turn the blower off, put the motion control arms in the neutral lock position and lower the engine throttle to half speed. Move the blower engagement lever rearward to disengage the blower belt and turn the mower PTO off.

REMOVING THE GRASS COLLECTOR

1. Release the chute hook band securing the chute into place over the blower.

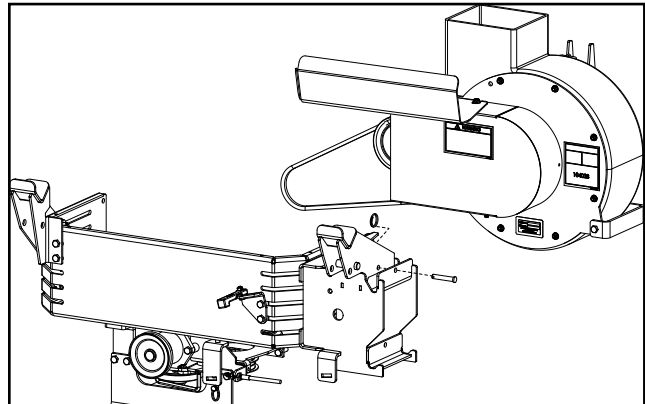


2. Remove the two 1/2 x 3.00 pins securing the ZTM GC frame weldment to the LH hopper mount weldment and the rear frame blower mount weldment by removing the two wire rings. Carefully lift the assembly off of the support brackets.



3. Unhook the LH rear belt shield and let it hang in place. Roll the blower belt off of the rear drive assembly.
4. Remove the 3/8 x 2 clevis pin securing the blower assembly by removing the wire ring.

5. Remove the 8" x 34" hose between the boot and blower and lift the blower assembly off of the channels on the rear frame blower mount weldment.



6. Raise the LH rear belt shield and hook it into place using the latch hook band.



WARNING:

Do not operate the mower/grass collector with safety shields removed. Always make sure all safety shields are installed prior to operation.

CLEARING PLUGGED DUCTS



WARNING:

To avoid injury, do not adjust, unclog or service the mower or grass catcher with the mower engine running. Make sure all rotating components have stopped before leaving the operator's seat.

Release the chute hook band, remove the chute and lay it aside. Release the cover hook bands, and raise the cover, allowing the latch linkage to hold it open. Dump the chute into one of the grass bags, and again lay it aside.

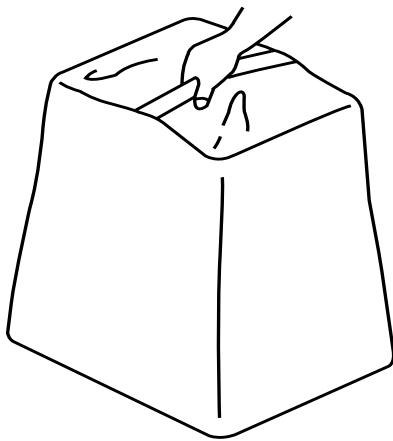
Disconnect the boot and hose from the deck and dump clippings into one of the bags. Clear the blower fan inlet and outlet areas of clippings.

Reinstall the boot and hose to the deck and the chute to the blower.

! WARNING:
Make sure all shields and guards are securely in place following all service, cleaning or repair work.

EMPTYING GRASS BAGS

Remove the bag and frame by lifting and sliding rearward. Grasp the loop on the bottom of the bag, turn it upside down and empty. Repeat on the other bags.



Reinstall all grass bags, line with plastic bags if desired, close the cover and fasten both hook bands. Reinstall the chute to the blower and lid.

! CAUTION:
The cloth bags are subject to wear and deterioration. Check them frequently. Use only genuine replacement bags from your EverRide dealer.

SCHEDULED LUBRICATION

The gearbox oil needs to be changed on scheduled intervals. The initial gearbox oil change needs to be completed after 100 hrs. of use. It is recommended that gearbox oil be changed at 200 hr. intervals thereafter. Oil capacity for gearbox when changing oil is 5 oz. of AGMA 5EP oil (Amoco Permagear EP220 or equivalent). For gearbox replacement or repairs refer to the parts breakdown in the PARTS LIST section of this manual.

CLEANING PROCEDURES

! WARNING:
Park the mower and grass catcher on

level ground, set the parking brakes, disengage the PTO, shut off the engine and remove the key, before making any mower or grass catcher adjustments.

! CAUTION:
Do not work under any part of the mower, or grass catcher, unless it is securely supported by safety stands.

The grass catcher should be washed regularly using a mixture of mild detergent and water.

! WARNING:
All blower cleaning or service must be performed with the engine shut off and the key removed from the ignition switch.

The blower should be cleaned every time grass build-up is removed from the bottom of the mower deck. This should be accomplished daily if the grasses mowed were unusually lush or wet.

! WARNING:
Keep the mower and grass catcher clean. Dirt and grass build-up can cause fires that may lead to serious personal injury.

REPLACING THE CLOTH GRASS BAG

If the grass bags are unusually dirty or grass stained, they should be washed with a mild detergent and water. If the CAUTION Label information is badly faded after repeated washing, the bags should be replaced.

See page 12 for bag installation information. Bag removal is a reversal of those instructions.

! WARNING:
Moisture content in most grasses can damage mower and grass catcher components. Also, dry grass and leaves left in the bags can be a fire hazard. Always make sure the bags are completely empty and the blower and chute is fully cleaned before storage.

! CAUTION:
Do not modify or alter this equipment or any of its components or operating functions. If you have questions concerning modifications, consult your EverRide Dealer.

Use only genuine EverRide replacement parts on the ZGC5460 Grass Catcher.

CONTENTS:

Center Rear Drive Assembly.....	24
Blower Components	26
Boot, Bags & Hose Components	28
Weight Kit.....	28
Gearbox Components	30
Boot Components.....	32
Blower Engagement Assembly.....	32
Grass Bag & Frame Components	34
Grass Catcher Lid Components	36
Miscellaneous Components	38

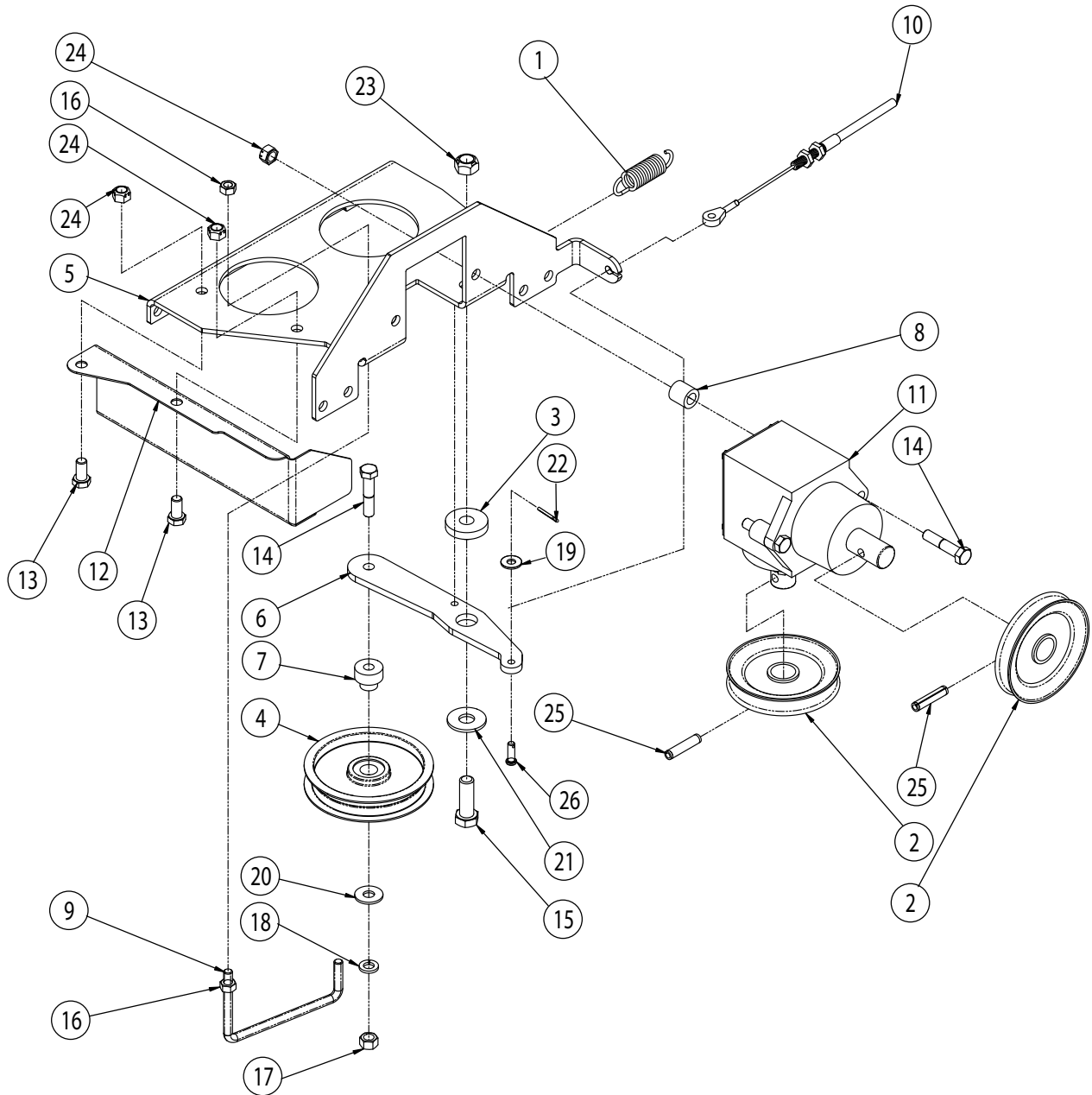


CAUTION:

Replace all safety signs that are damaged, lost, or otherwise have become illegible. If a part to be replaced has a safety sign on it, obtain a new safety sign from your EverRide dealer and install it in the same place as on the removed part.

EverRide reserves the right to change, modify, or eliminate from time to time, for technical or other reasons, certain or all data, specifications, or equipment of the product, or the products themselves, without any liability or obligation.

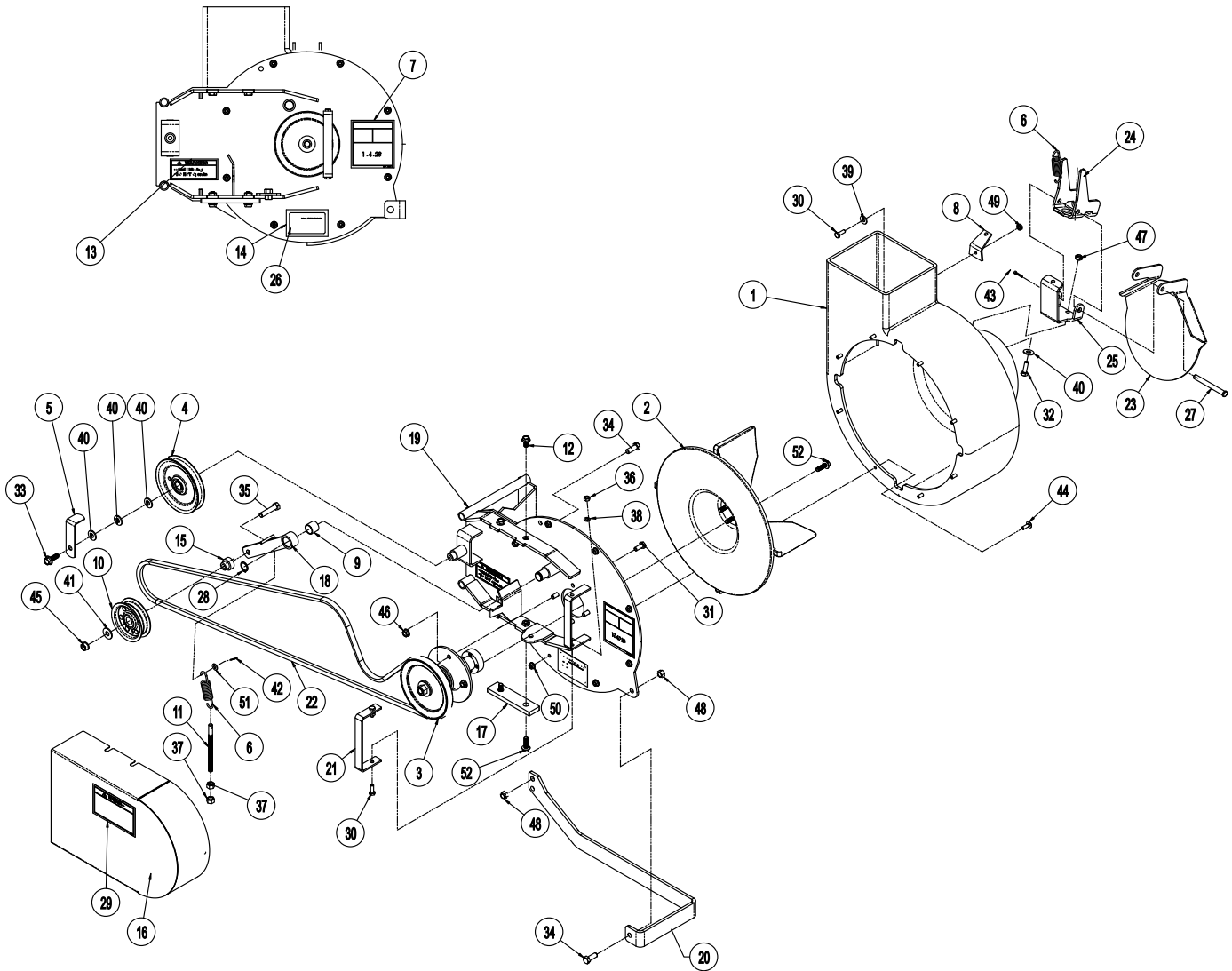
24 - PARTS LIST - Center Rear Drive Assembly



PARTS LIST - Center Rear Drive Assembly - 25

ITEM	PART NO	QTY	DESCRIPTION
1	103901	1	SPRING, EXT .748 X .112 X 2.76
2	160415	2	PULLEY, V-BELT 4.00 X .875
3	163431	1	SPACER, Ø.516 X Ø.750 X .563
4	180820	1	PULLEY, FLAT 4.00 X .625
5	182015	1	PLATE, MID GEARBOX MOUNTING
6	182016	1	ARM, REAR CENTER DRIVE
7	182017	1	SPACER, Ø.375 X Ø.620 X .906
8	182018	2	BUSHING, .438 X .750 X .750
9	182151	1	GUIDE, BELT
10	182190	1	CABLE, PULL - 57.00
11	182192	1	GEARBOX, 1:1 - CCW-CW
12	182274	1	SHIELD, BELT
13	960045	2	BOLT, 3/8-16 X .750 HEX 5
14	960049	3	BOLT, 3/8-16 X 1.75 HEX 5
15	960114	1	BOLT, 1/2-13 X 1.50 HEX 5
16	960501	2	NUT, 5/16-18 STD HEX GR5
17	960502	1	NUT, 3/8-16 STD HEX GR5
18	960602	1	WASHER, .375 MED SPRG LOCK
19	960700	1	WASHER, .250 REG FLAT
20	960702	2	WASHER, .375 REG FLAT
21	960704	1	WASHER, .500 REG FLAT
22	962008	1	PIN, COT .094 X .750 EXTP
23	964000	1	LOCKNUT, 1/2-13 CROWN
24	964022	4	LOCKNUT, 3/8-16 CROWN
25	967169	2	PIN, ROL .313 X 1.50
26	967320	1	PIN, CVS .250 X .750 X .609

26 - PARTS LIST - Blower Components

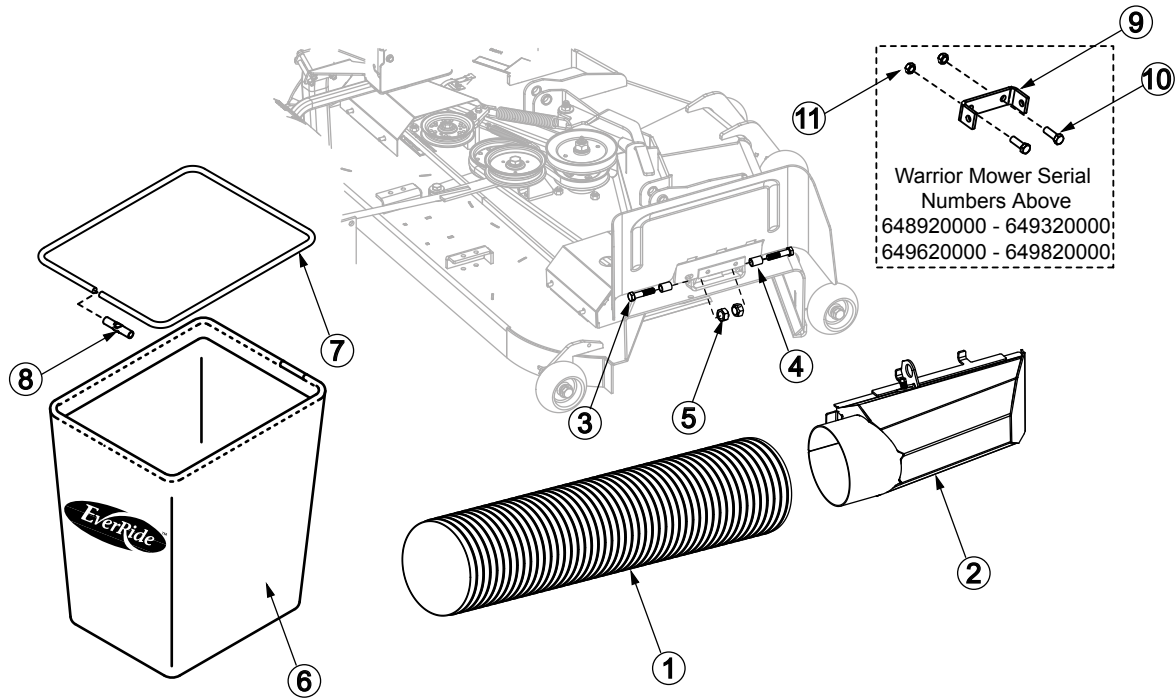


PARTS LIST - Blower Components - 27

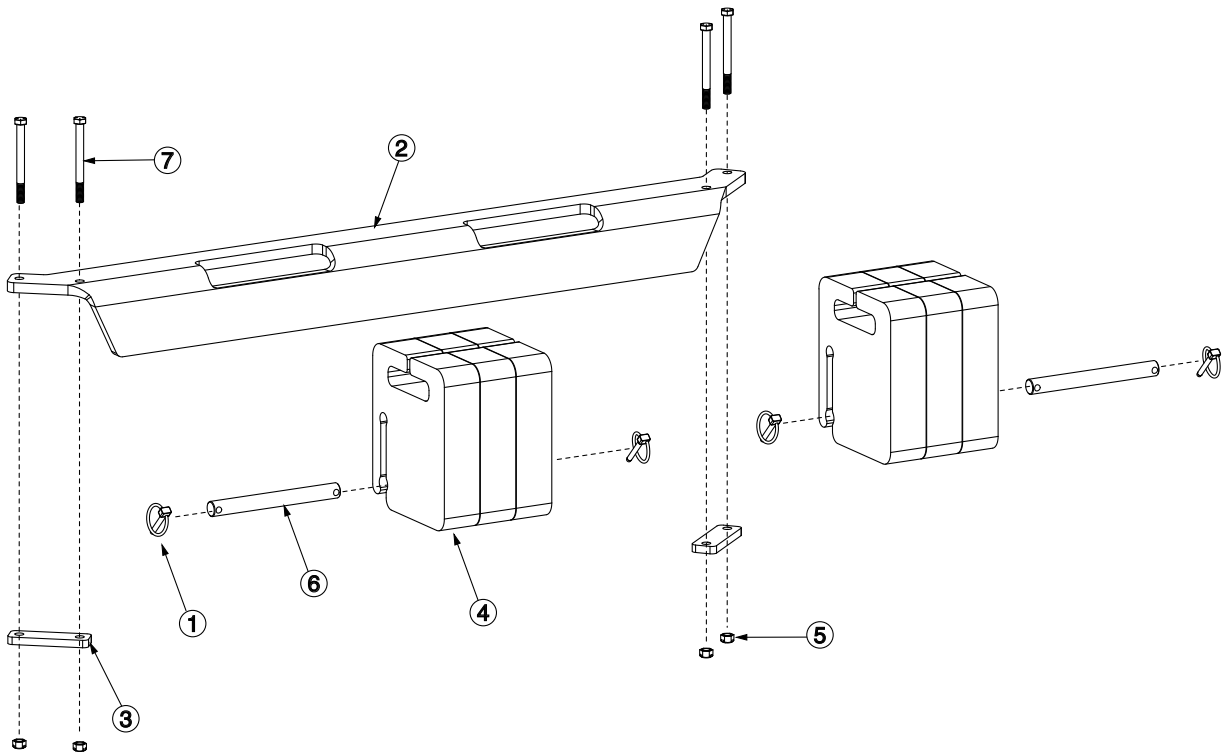
ITEM	PART NO	QTY	DESCRIPTION
1	102302	1	HOUSING, TG1860 BLOWER
2	102303	1	FAN, TG1860
3	102334	1	ASSY, BLOWER FAN SHAFT
4	102525	1	PULLEY, V-BELT 5.00 X .669 W/BRG
5	103020	1	GUIDE, BELT
6	103901	2	SPRING, EXT .748 X .112 X 2.76 Y
7	104028	1	DECAL, WARNING - SHIELDS
8	104730	1	BRACKET, SPRING ATTACH
9	105546	1	BRG, SLV .753 X .878 X .750
10	106073	1	PULLEY, FLAT 3.00 X .669 W/BRG
11	140340	1	ROD, THREADED ADJUSTMENT Y
12	147841	2	BOLT, 5/16-18 X .625 FGH 5 Y
13	160169	1	DECAL, WARNING - SHIELD
14	164090	1	LAMINATE, SERIAL PLATE
15	180789	1	BUSHING, .391 X .656 X .875
16	181535	1	WLDT, BLOWER BELT SHIELD
17	181540	1	SPACER, .375 X 5.00 X 1.25
18	182047	1	WLDT, ENGAGEMENT ARM
19	182049	1	WLDT, ZTM BLOWER PLATE
20	182064	1	BRACKET, BLOWER GUARD
21	182066	1	BRACKET, SHORT BLOWER BELT
22	182069	1	BELT, HA 83.0 OC PES OHR
23	182129	1	SHIELD, BLOWER FACE PLATE
24	182130	1	BRACKET, TUBE LOCK
25	182131	1	BRACKET, BLOWER INPUT
26	182251	1	PLATE, SERIAL - ZGC5460
27	230542	1	PIN, CVS .375 X 3.50 X 3.27 Y
28	403490	1	SNAP RING, .750 X .042 EXT
29	948250	1	DECAL, WARNING - INSTRUCTIONS
30	960001	3	BOLT, 1/4-20 X .750 HEX 5 Y
31	960022	4	BOLT, 5/16-18 X .750 HEX 5 Y
32	960023	1	BOLT, 5/16-18 X 1.00 HEX 5 Y
33	960044	1	BOLT, 3/8-16 X 1.00 FGH 8 Y
34	960046	3	BOLT, 3/8-16 X 1.00 HEX 5 Y
35	960049	1	BOLT, 3/8-16 X 1.75 HEX 5 Y
36	960500	2	NUT, 1/4-20 STD HEX GR5 Y
37	960502	2	NUT, 3/8-16 STD HEX GR5 Y
38	960600	2	WASHER, .250 MED SPRG LOCK Y
39	960700	1	WASHER, .250 REG FLAT Y
40	960701	4	WASHER, .313 REG FLAT Y
41	960702	1	WASHER, .375 REG FLAT Y
42	962001	1	PIN, COT .063 X .750 EXTP Y
43	962017	1	PIN, COT .125 X 1.00 EXTP Y
44	963095	8	BOLT, 1/4-20 X .750 CRG 5 Y
45	964016	1	LOCKNUT, 3/8-16 WHIZ Y
46	964019	4	LOCKNUT, 5/16-18 WHIZ Y
47	964021	1	LOCKNUT, 5/16-18 CROWN Y
48	964022	3	LOCKNUT, 3/8-16 CROWN Y
49	964031	1	LOCKNUT, 1/4-20 CENTER Y
50	964040	8	LOCKNUT, 1/4-20 WHIZ Y
51	964504	1	WASHER, .188 FLAT TYPE A Y

28 - PARTS LIST - Boot, Bags & Hose Components/Weight Kit

Boot, Bags & Hose Components



Weight Kit



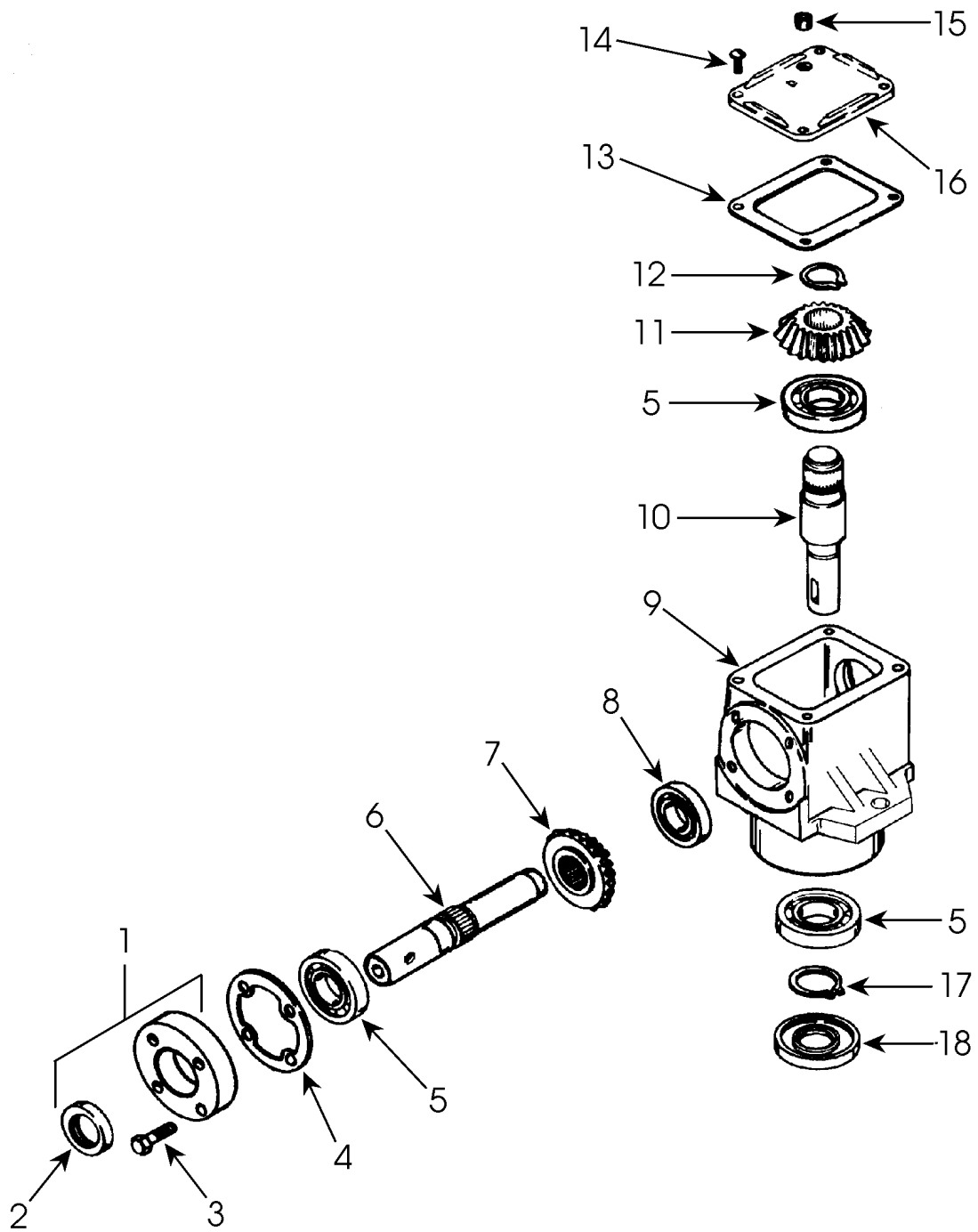
Boot, Bags & Hose Components

ITEM	PART NO	QTY	DESCRIPTION
1	182080	1	HOSE, 8" X 34" YELLOW
2	182070	1	ASSY, ZTM BOOT
3	960117	2	BOLT, 1/2-13 X 2.25
4	182076	2	BUSHING, .516 X .750 X 1.0
5	964000	2	LOCKNUT, 1/2-13 CROWN
6	182220	3	BAG, EVERRIDE GRASS
7	103736	3	ROD, BAG FRAME
8	104446	3	SPACER, BAG FRAME
9	181178	1	BRACKET, BAGGER
10	960114	2	BOLTS, 1/2-13 x 1.50 HEX
11	964000	2	LOCKNUTS, 1/2-13

Weight Kit

ITEM	PART NO	QTY	DESCRIPTION
1	140970	4	PIN, LNC .250 X 1.75
2	182136	1	BRACKET, FRONT WEIGHT FRAME
3	182137	2	PLATE, FRONT WEIGHT FRAME
4	181226	6	WEIGHT, 28 LB FRONT
5	964022	4	LOCKNUT, 3/8-16 CROWN
6	182222	2	PIN, MFG .750X7.13X6.34
7	960058	4	BOLT, 3/8-16 X 4.00 HEX 5

30 - PARTS LIST - Gearbox Components

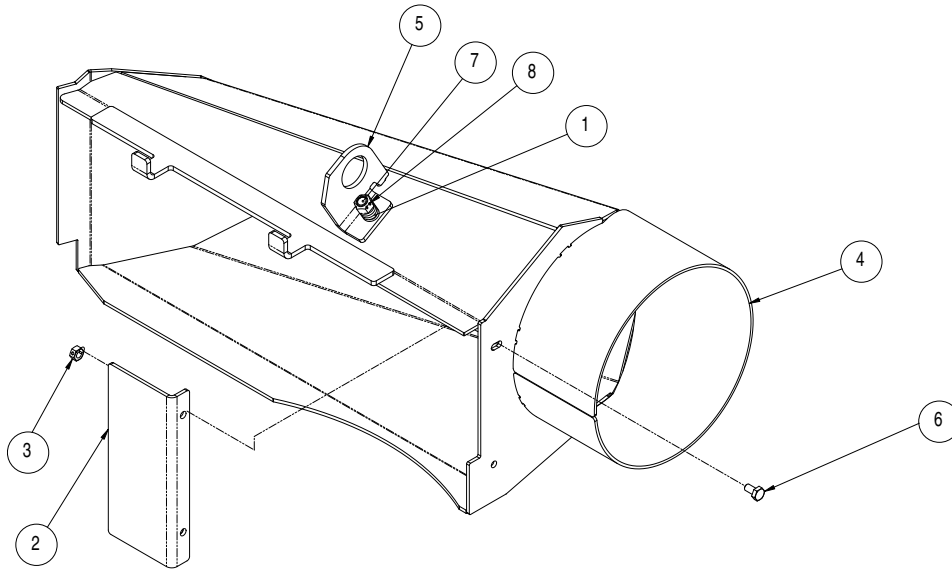


PARTS LIST - Gearbox Components - 31

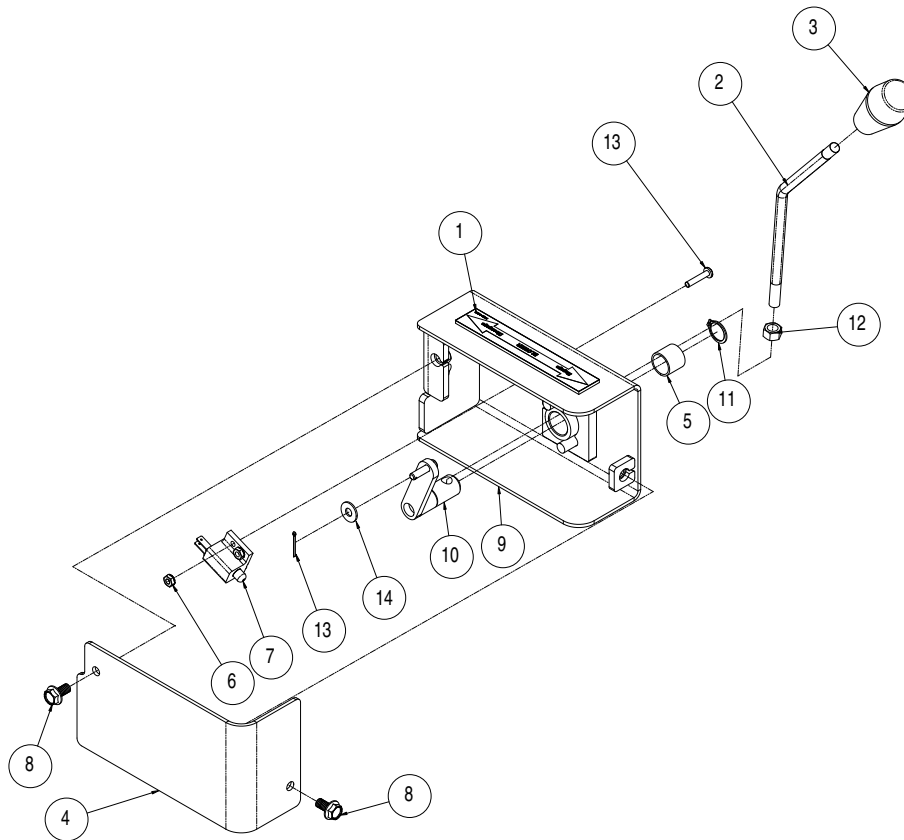
ITEM	PART NO	QTY	DESCRIPTION
1	160444	1	RETAINER CAP (INCLUDES ITEMS 2 & 3)
2	160445	1	SEAL, INPUT SHAFT
3	160446	4	BOLT, 1/4-20 X 7/8
4	160442	1	GASKET, RETAINER CAP
5	160437	1	BEARING ASSEMBLY
6	182292	1	SHAFT, INPUT
7	102357	1	GEAR, 17 TOOTH - 7/8 ID
8	160438	1	BEARING ASSEMBLY
9	160431	1	HOUSING, GEARBOX
10	160434	1	SHAFT, OUTPUT
11	160432	1	GEAR, 17 TOOTH - 3/4 ID
12	160440	1	RETAINING RING
13	160436	1	GASKET, COVER
14	160443	4	SCREW, 10-24 X 1/2
15	160447	1	PIPE PLUG, 1/8-27
16	160435	1	COVER
17	445240	1	RETAINING RING
18	160441	1	SEAL, OUTPUT SHAFT

32 - PARTS LIST - Boot Components/Blower Engagement Assembly

Boot Components



Blower Engagement Assembly



PARTS LIST - Boot Components/Blower Engagement Assembly - 33

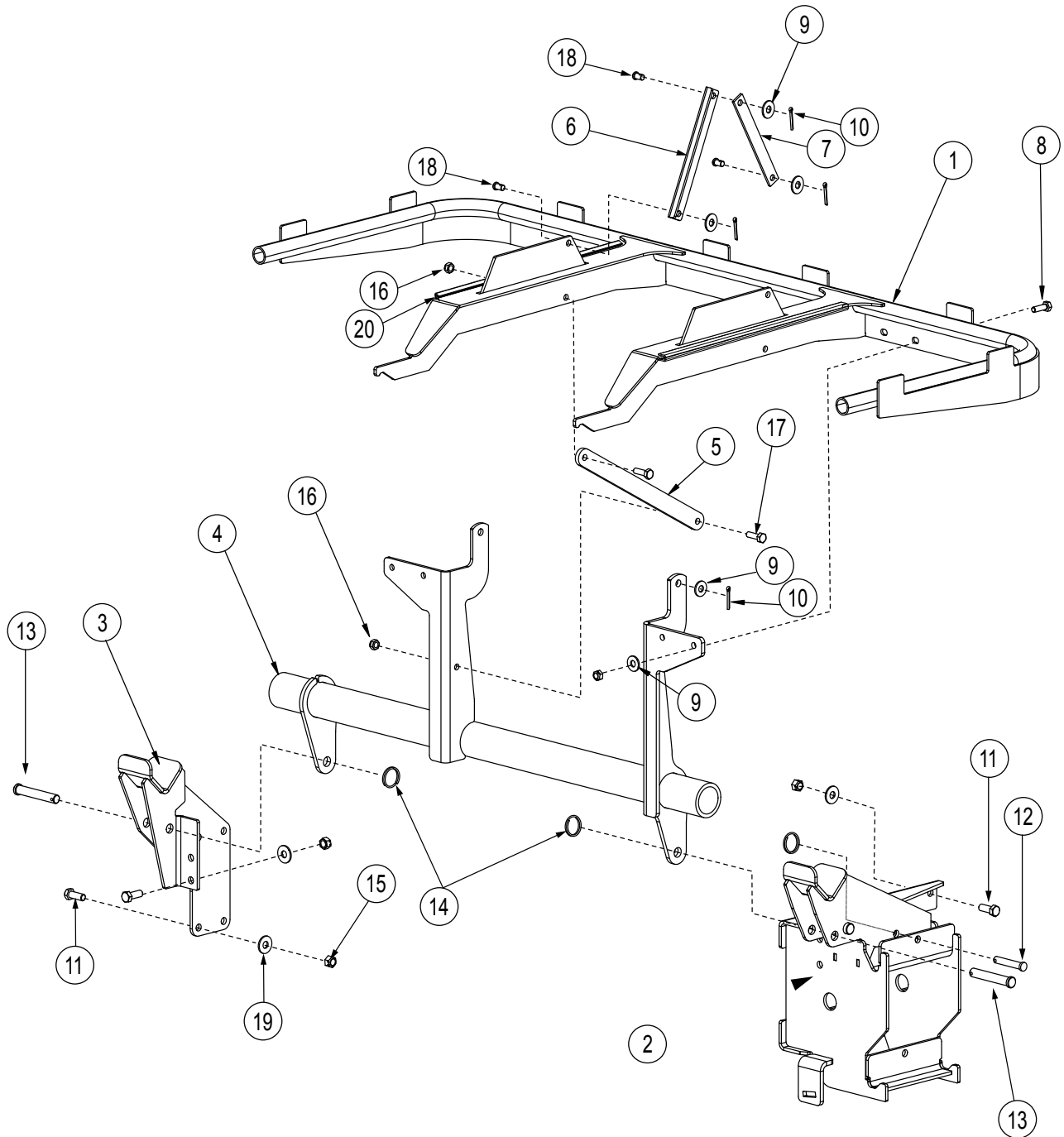
Boot Components

ITEM	PART NO	QTY	DESCRIPTION
1	160176	1	SPRING - COMP .60 OD X .875 LG
2	182078	1	BRACKET, BOOT ATTACHMENT
3	964031	2	LOCKNUT, 1/4-20 CENTER
4	182142	1	WLDT, ZTM BOOT 2
5	182215	1	BRACKET, SHIELD
6	960000	2	BOLT, 1/4-20 X .500 HEX 5
7	960047	1	BOLT, 3/8-16 X 1.25 HEX 5
8	964022	1	LOCKNUT, 3/8-16 CROWN

Blower Engagement Assembly

ITEM	PART NO	QTY	DESCRIPTION
1	182257	1	DECAL, ENGAGEMENT
2	102392	1	ROD, HANDLE 3/8 X 9.00
3	102394	1	KNOB, 3/8-16 INSERT
4	103067	1	COVER, ENGAGEMENT
5	105546	1	BEARING, SLV .750 X .875 X .75
6	130923	2	NUT, 10-24 KEPS
7	130993	1	SWITCH, LIMIT
8	147841	2	BOLT, 5/16-18 X .625 FGH 5
9	182259	1	WLDT, ZTM BLOWER CONTROL W/ DECALS
10	182155	1	WLDT, LEVER SHAFT
11	403490	1	SNAP RING, .693 X .042 EXT
12	960502	1	NUT, 3/8-16 STD HEX GR5
13	967302	2	SCREW, MAC 10-24 X 1.00 PH PHL
14	962008	2	PIN, COTTER .094 X .750 EXTP
15.	967281	1	WASHER, .250 X .625 X .065 FLAT

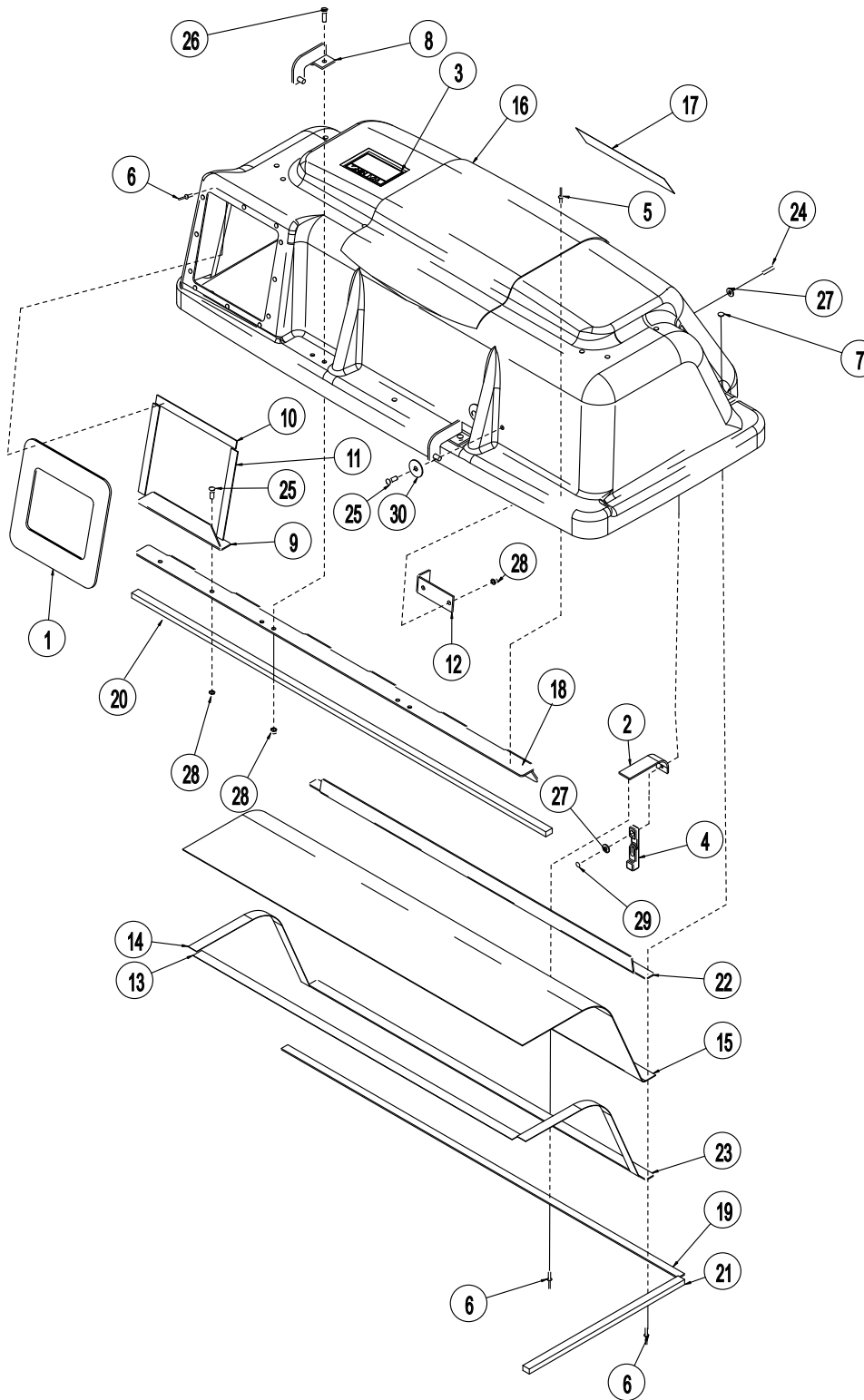
34 - PARTS LIST - Grass Bag & Frame Components



PARTS LIST - Grass Bag & Frame Components - 35

ITEM	PART NO	QTY	DESCRIPTION
1	182165	1	WLDT, ZTM 3 BAG FRAME
2	182278	1	WLDT, REAR FRAME BLOWER MNT. W/DECALS
3	182036	1	WLDT, LH HOPPER MOUNT
4	182173	1	WLDT, ZTM GC FRAME MOUNT
5	182013	2	BRACE, SHORT BAG
6	182188	1	BRACKET, HOPPER HINGE
7	104540	1	PLATE, HOPPER HINGE
8	960023	8	BOLT, 5/16-18 X 1.00 HEX
9	960701	6	WASHER, .313 REG FLAT
10	962017	5	PIN, COTTER .125 X 1.0
11	960046	14	BOLT, 3/8-16 X 1 HEX
12	967154	1	PIN, CLEVIS .375 X 2.13 X 1.89
13	150115	2	PIN, CLEVIS .500 X 3.00 X 2.77
14	967057	3	RING, WIRE .080 X 1.25
15	964022	29	LOCKNUT, 3/8-16 CENTER CROWN
16	964021	8	LOCKNUT, 5/16-18 CENTER CROWN
17	960047	4	BOLT, 5/16-18 X 1 HEX
18	967103	3	PIN, CLEVIS .313 X .500 X .266
19	960702	12	WASHER, .375 REG FLAT
20	181913	4	1/4 INCH TRIM LOK

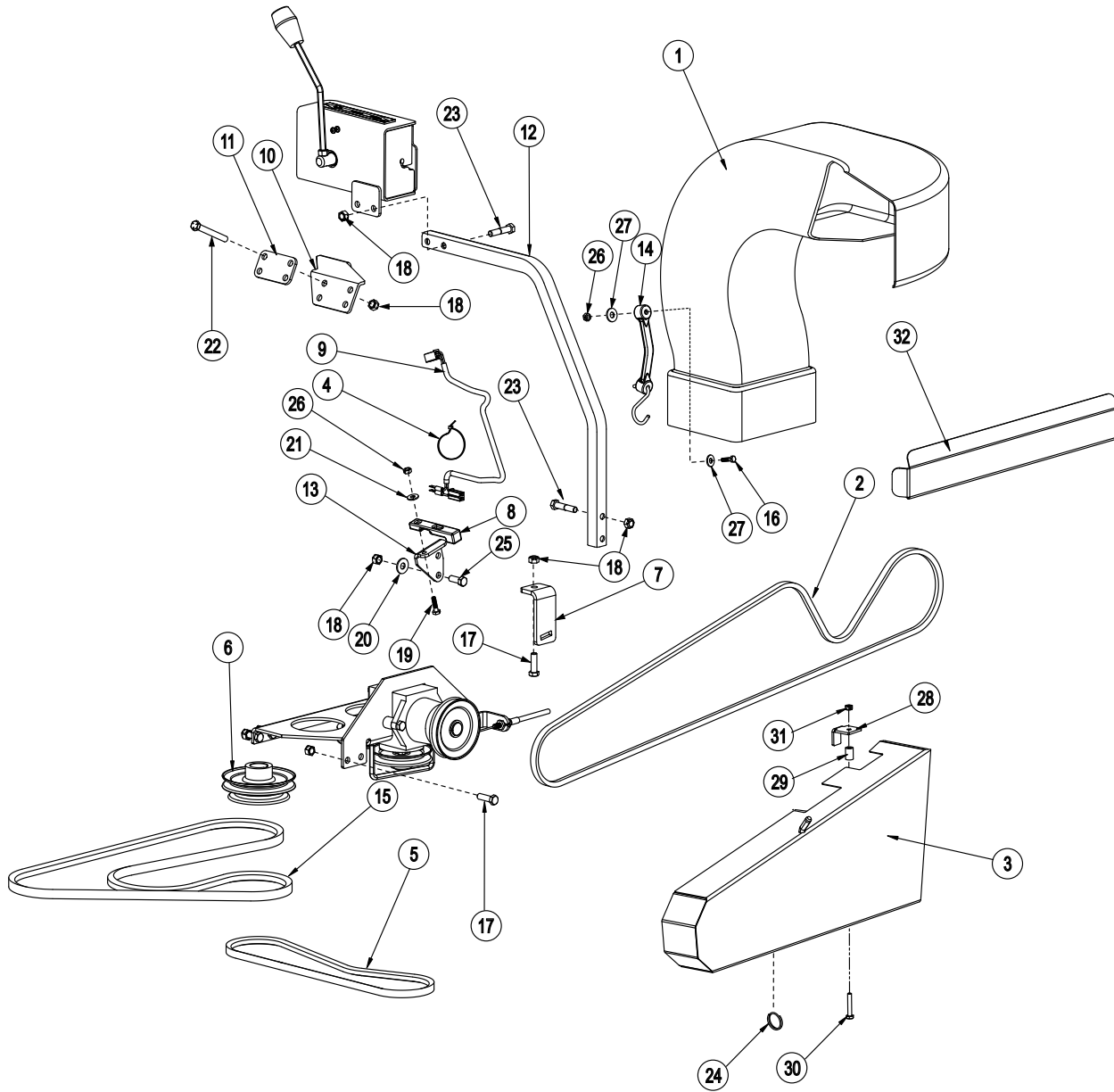
36 - PARTS LIST - Grass Catcher Lid Components



PARTS LIST - Grass Catcher Lid Components - 37

ITEM	PART NO	QTY	DESCRIPTION
1	102338	1	SEAL, HOPPER INLET RUBBER
2	103711	2	PLATE, HOPPER LATCH
3	103712	1	DECAL, WARNING
4	103714	2	BAND, HOPPER LATCH HOOK
5	103746	15	RIVET, 3/16 X .375 POP BLK AL
6	103747	19	RIVET, 3/16 X .500 POP AL
7	103750	2	WASHER, 3/16 ALUM POP RIVET
8	104524	2	WLDT, HOPPER HINGE
9	104531	1	PLATE, BOTTOM FRONT INLET
10	104532	1	PLATE, TOP HOPPER INLET SEAL
11	104533	2	PLATE, SIDE HOPPER INLET SEAL
12	104534	1	PLATE, SPRING HOOK
13	104574	1	STRAP, FRONT SCREEN
14	104575	2	STRAP, SCREEN
15	104576	1	NET, PLASTIC
16	160349	1	LID, B SERIES GRASS CATCHER
17	180960	1	DECAL, 10" WARRIOR LOGO
18	182150	1	PLATE, BAGLOCK
19	182302	1	GASKET, FOAM .125 X .750 X 46.00
20	182303	1	GASKET, FOAM .500 X .750 X 48.00
21	182304	1	GASKET, FOAM .500 X .750 X 18.00
22	191712	1	STRAP, RETAINING
23	191713	1	STRAP, BACK SCREEN
24	960003	2	BOLT, 1/4-20 X 1.25 HEX 5 Y
25	960022	4	BOLT, 5/16-18 X .750 HEX 5 Y
26	960023	4	BOLT, 5/16-18 X 1.00 HEX 5 Y
27	960700	4	WASHER, .250 REG FLAT Y
28	964021	8	LOCKNUT, 5/16-18 CROWN Y
29	964031	2	LOCKNUT, 1/4-20 CENTER Y
30	964502	2	WASHER, .375 X 1.50 X .063 FLAT Y

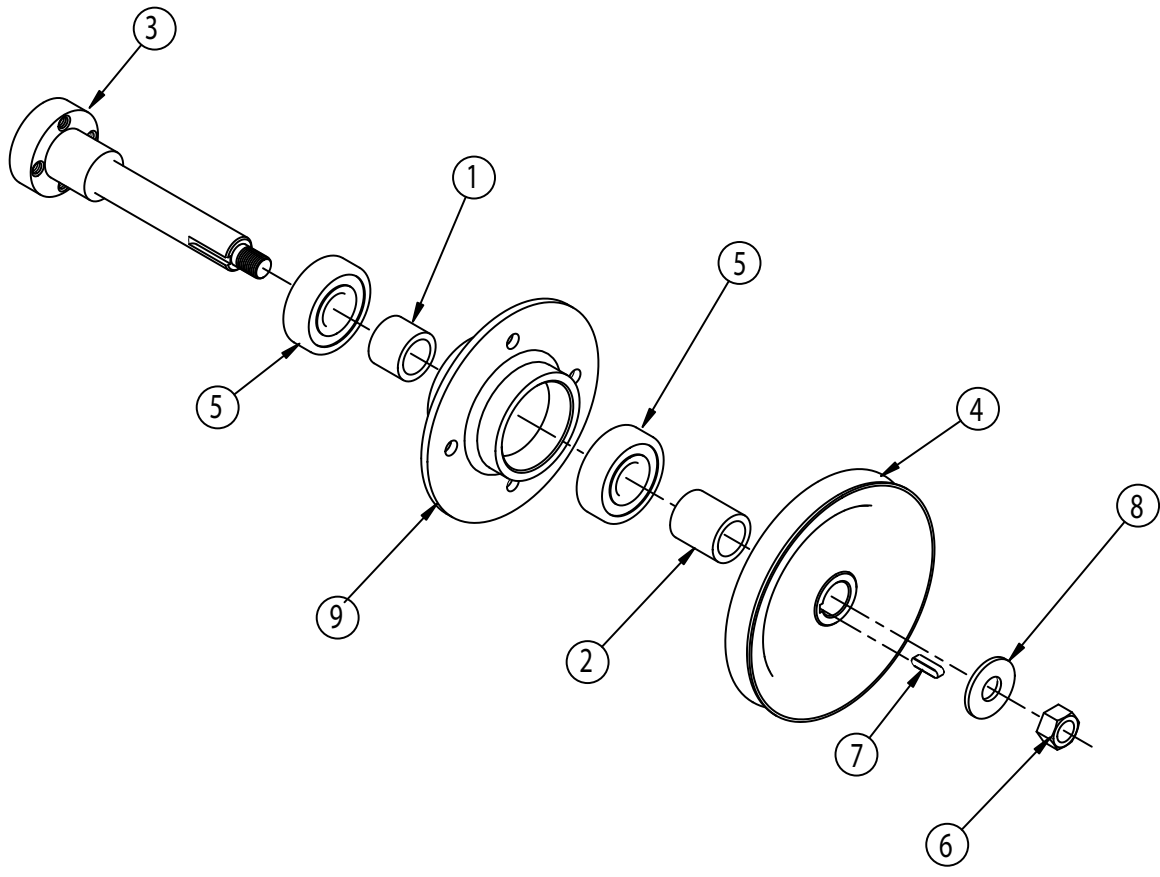
38 - PARTS LIST - Miscellaneous Components



PARTS LIST - Miscellaneous Components - 39

REF	PART NO	DESCRIPTION	QTY
1	182086	CHUTE, HOPPER W/DECALS	1
2	182069	BELT, A81	1
3	181258	WLDT, REAR DRIVE SHIELD	1
4	967006	CABLE TIE, .19 X 14.4	6
5	182068	BELT, ENGINE TO GEARBOX	1
6	181109	PULLEY, DBL-V 4.00 X 4.00 X 1.13	1
7	181534	BRACKET, BLOWER SHIELD MOUNT	1
8	103714	BAND, LATCH HOOK	1
9	182158	WIRE HARNESS, ZTM GC	1
10	182164	BRACKET, ROPS CONTROL MOUNT	1
11	182163	PLATE, CONTROL MOUNT	1
12	182042	TUBE, ZTM BLOWER CONTROL MOUNT	1
13	182044	BRACKET, LATCH MOUNT	1
14	104753	BAND, HOOK	1
15	181882	BELT, PUMP DRIVE	1
16	960003	BOLT, 1/4-20 X 1.25 HEX	1
17	960047	BOLT, 3/8-16 X 1.25 HEX	5
18	964022	LOCKNUT, 3/8-16 CROWN	29
19	960002	BOLT, 1/4-20 X 1.00 HEX	1
20	960702	WASHER, 3/8 SAE FLAT	12
21	960700	WASHER, 1/4 REG FLAT	1
22	960054	BOLT, 3/8-16 X 3.00 HEX	4
23	960049	BOLT, 3/8-16 x 1.75 HEX	4
24	967057	RING, WIRE .080 X 1.25	3
25	960046	BOLT, 3/8-16 X 1.00 HEX	14
26	964031	LOCKNUT, 1/4-20 CENTER	1
27	960701	WASHER, 5/16 REG FLAT	4
28	181538	PLATE, REAR DRIVE SHIELD LOCK	1
29	181539	SPACER	1
30	960004	BOLT, 1/420 X 1.50 HEX	1
31	964031	LOCKNUT, 1/4-20 CENTER	1
32	181918	SHIELD, EXHAUST	1

40 - PARTS LIST - Blower Fan Shaft Assembly



PARTS LIST - Blower Fan Shaft Assembly - 41

ITEM	PART NO	QTY	DESCRIPTION
1	102013	1	BUSHING, .813 X 1.13 X .870 Y
2	102306	1	TUBE, PULLEY SPACER
3	102314	1	SHAFT, FAN
4	102332	1	PULLEY, V-BELT 5.50 X .788 W/KEY
5	103977	2	BRG, BAL .787 X 2.05 X .591
6	964007	1	NUT, 1/2-20 HEX GR5 Y
7	966054	1	KEY, M5 X M5 X M20 RD
8	960704	1	WASHER, .500 REG FLAT Y
9	102057	1	WLDT, SHAFT MOUNT

42 - NUMERICAL INDEX

Part No.	Page	Item	Part No.	Page	Item	Part No.	Page	Item
102013	41	1	105546	33	5	181538	39	28
102057	41	9	106073	27	10	181539	39	29
102302	27	1	130923	33	6	181540	27	17
102303	27	2	130993	33	7	181882	39	15
102306	41	2	140340	27	11	181913	35	20
102314	41	3	140970	29	1	181918	39	32
102332	41	4	147841	27	12	182013	35	5
102334	27	3	147841	33	8	182015	25	5
102338	37	1	150115	35	13	182016	25	6
102357	31	7	160169	27	13	182017	25	7
102392	33	2	160176	33	1	182018	25	8
102394	33	3	160176	33	1	182036	35	3
102525	27	4	160349	37	16	182042	39	12
103020	27	5	160415	25	2	182044	39	13
103067	33	4	160431	31	9	182047	27	18
103711	37	2	160432	31	11	182049	27	19
103712	37	3	160434	31	10	182064	27	20
103714	37	4	160435	31	16	182066	27	21
103714	39	8	160436	31	13	182068	39	5
103736	29	7	160437	31	5	182069	27	22
103746	37	5	160438	31	8	182069	39	2
103747	37	6	160440	31	12	182070	29	2
103750	37	7	160441		18	182076	29	4
103901	25	1	160442	31	4	182078	33	2
103901	27	6	160443	31	14	182078	33	2
103977	41	5	160444	31	1	182080	29	1
104028	27	7	160445	31	2	182086	39	1
104446	29	8	160446	31	3	182129	27	23
104524	37	8	160447	31	15	182130	27	24
104531	37	9	163431	25	3	182131	27	25
104532	37	10	164090	27	14	182136	29	2
104533	37	11	180789	27	15	182137	29	3
104534	37	12	180820	25	4	182142	33	4
104540	35	7	180960	37	17	182142	33	4
104574	37	13	181109	39	6	182150	37	18
104575	37	14	181178	29	9	182151	25	9
104576	37	15	181226	29	4	182155	33	10
104730	27	8	181258	39	3	182158	39	9
104753	39	14	181534	39	7	182163	39	11
105546	27	9	181535	27	16	182164	39	10

Part No.	Page	Item	Part No.	Page	Item	Part No.	Page	Item
182165	35	1	960046	35	11	964000	25	23
182173	35	4	960046	39	25	964000	29	5
182188	35	6	960047	33	7	964000	29	11
182190	25	10	960047	33	7	964007	41	6
182192	25	11	960047	35	17	964016	27	45
182215	33	5	960047	39	17	964019	27	46
182215	33	5	960049	25	14	964021	27	47
182220	29	6	960049	27	35	964021	35	16
182222	29	6	960049	39	23	964021	37	28
182251	27	26	960054	39	22	964022	25	24
182257	33	1	960058	29	7	964022	27	48
182259	33	9	960114	25	15	964022	29	5
182274	25	12	960114	29	10	964022	33	8
182278	35	2	960117	29	3	964022	33	8
182292	31	6	960500	27	36	964022	35	15
182302	37	19	960501	25	16	964022	39	18
182303	37	20	960502	25	17	964031	27	49
182304	37	21	960502	27	37	964031	33	3
191712	37	22	960502	33	12	964031	33	3
191713	37	23	960600	27	38	964031	37	29
230542	27	27	960602	25	18	964031	39	26
403490	27	28	960700	25	19	964031	39	31
403490	33	11	960700	27	39	964040	27	50
445240	31	17	960700	37	27	964502	37	30
948250	27	29	960700	39	21	964504	27	51
960000	33	6	960701	27	40	966054	41	7
960000	33	6	960701	35	9	967006	39	4
960001	27	30	960701	39	27	967057	35	14
960002	39	19	960702	25	20	967057	39	24
960003	37	24	960702	27	41	967070	27	52
960003	39	16	960702	35	19	967103	35	18
960004	39	30	960702	39	20	967154	35	12
960022	27	31	960704	25	21	967169	25	25
960022	37	25	960704	41	8	967281	33	15
960023	27	32	962001	27	42	967302	33	13
960023	35	8	962008	25	22	967320	25	26
960023	37	26	962008	33	14			
960044	27	33	962017	27	43			
960045	25	13	962017	35	10			
960046	27	34	963095	27	44			

